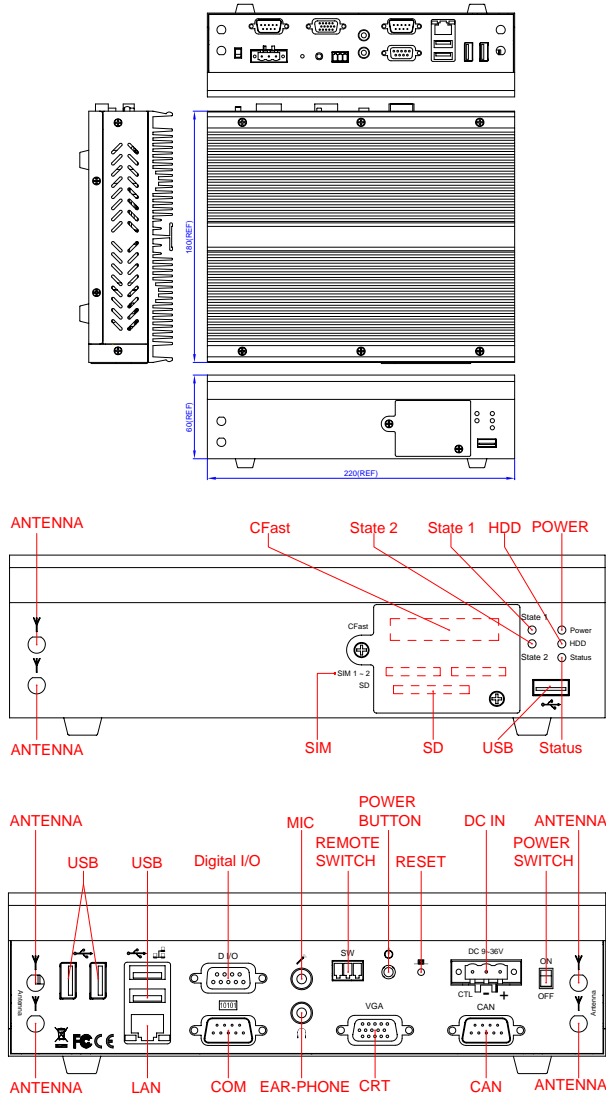


1. Brief

The FX5652 is a fanless, compact size embedded system with Intel® Atom™ N2600 processor board inside. This user's quick reference provides the I/O outlets description and their pin assignment.

2. Dimensions (in mm) and Front/Rear Panel Information



3. Packing List

A. Standard Items

- 1 FX5652 embedded system.
- 1 pack of 2.5" SATA hard disk installation kit (2 cables and 4 fixed screws).
- 1 pack of mini-card fixed screws (4 screws).
- 1 3-pin, pitch 5.08mm apartable terminal block for power input.
- 1 3-pin, pitch 3.5mm apartable terminal block for SW I/O (Remote switch).
- 1 compact disc includes software utilities and manuals.

B. Optional Items

- Wall mounting kit (FX5501K1, P/N: 0606010009G-20, 2 pieces of metal with 4 fixed screws)
- Panel mounting kit (FX5504K1, P/N: 0606010012G, 1 piece of metal with 2 fixed screws)
- Half size mini PCIe module adapter kit (AK1006, P/N: 0606010028G, 1 piece of metal with 2 screws)

4. Features

* Processor Board

Intel® Atom™ N2600 CPU (1.6GHz, 1MB L2, 800MHz FSB, 3.5W) low power processor with 2GB DDR3 RAM. (2GB DDR3 is maximum)

* I/O Outlets

1 10/100/1000 base-TX Ethernet ports, 5 USB ports, 1 RS-232 and 1 CAN ports.
 1 VGA (Analog), 1 Microphone, and 1 Line-out (Earphone) connectors.
 1 power input (3-pin terminal block) and 1 power button with power LED indicator.
 1 HDD/CFast access LED, 3 status, and 2 LAN LEDs.

* Storage Bay

1 CFast socket, 1 SD socket, and 2 SIM sockets.
 2 mini PCIe sockets (all for full size mini cards).
 One 2.5" SATA hard disk space.

* Power requirement

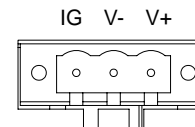
+9 ~ +36V DC, 2.28A maximum (1.03A typical) with 19V input voltage.

* Dimensions

180.0mm (D) x 220.0mm (W) x 60.0mm (H) without rubber stands and wall mounting kit.

5. I/O outlets and LED Indicators

A. Power Connector (DC +9 to +36V, 55W minimum)



Note: IG means Ignition Input for power on/off delay

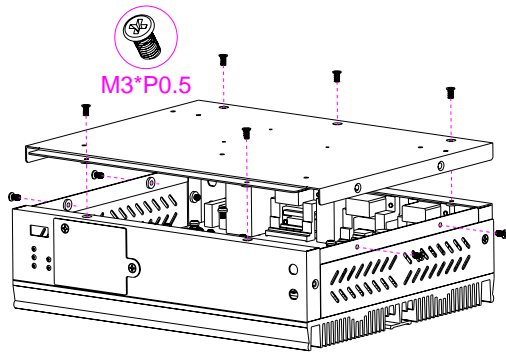
B. LAN LED Indicators (RJ45)

The LAN port is a RJ45 connector with 2 LEDs. The orange LED indicates data is accessing and the green LED indicates on-line status.

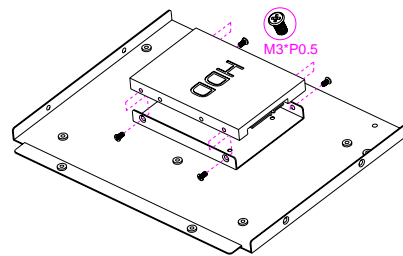
6. Software Configuration and Driver Installation

Please refer to the driver installing documentaion in the included Compact Disc for installing what device driver you need. If you need to change the system settings or configurations of I/O ports, Please refer to User's Manual (also in the included Compact Disc) for details.

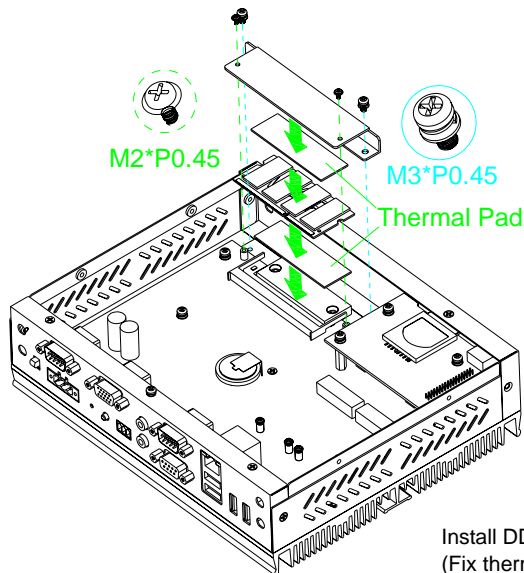
7. Open the Bottom Cover for installing HDD, DRAM, and mini cards (WLAN+Antenna)



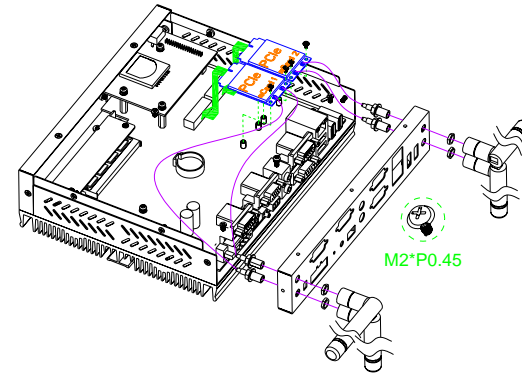
Release 9 screws as upper figure shown



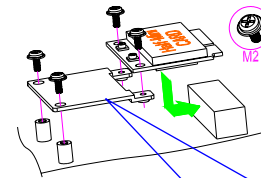
Install SATA HDD with HDD kit.
(4 screws and 2 cables)



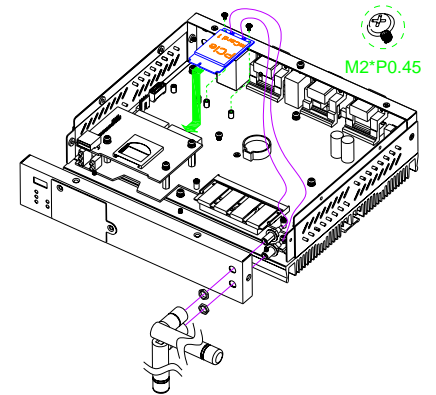
Install DDR3 RAM Module
(Fix thermal pad and heatsink with 4 screws properly)



Left: Install mini PCIe Module and rear panel Antenna. (2 screws each)



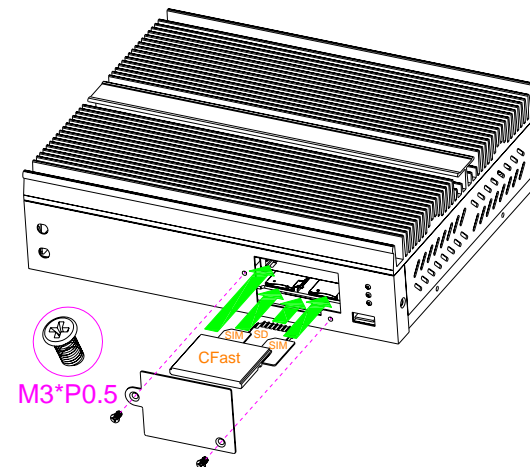
Note: Installing half-size mini PCIe adapter for half size modules



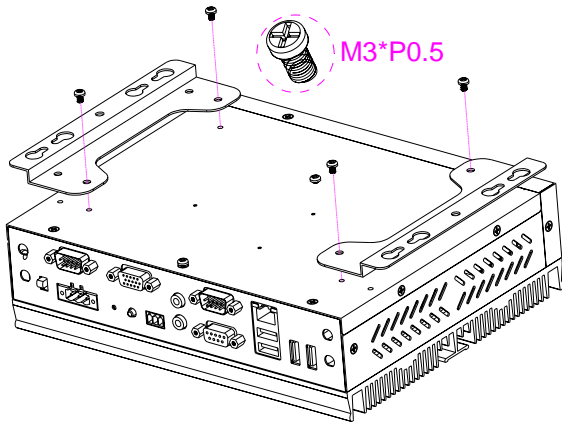
Down: Install mini PCIe Module and front panel Antenna. (2 screws each)

After all installations done, close bottom cover and fasten 9 screws

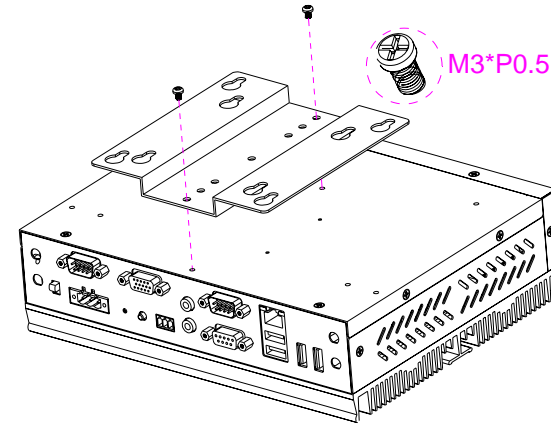
8. Installing CFast, SD, and SIM Modules (Located at front panel, 2 screws)



9. Installing Mounting Kit (Optional)



Wall mounting kit (4 screws) and its installation dimensions



Panel mounting kit (2 screws) and its installation dimensions

