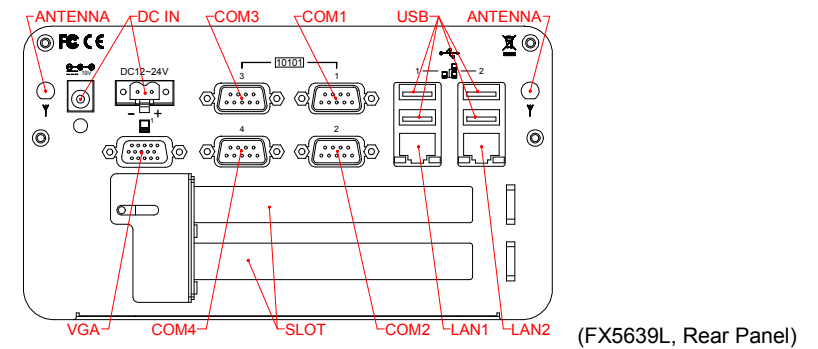
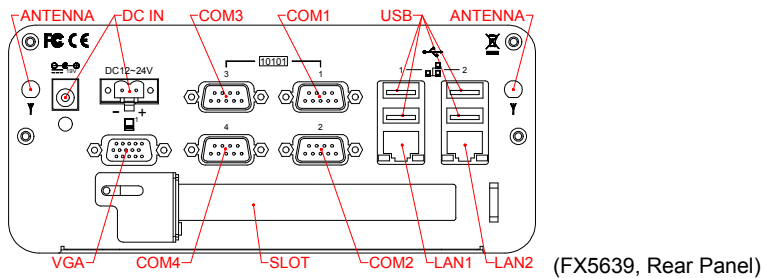
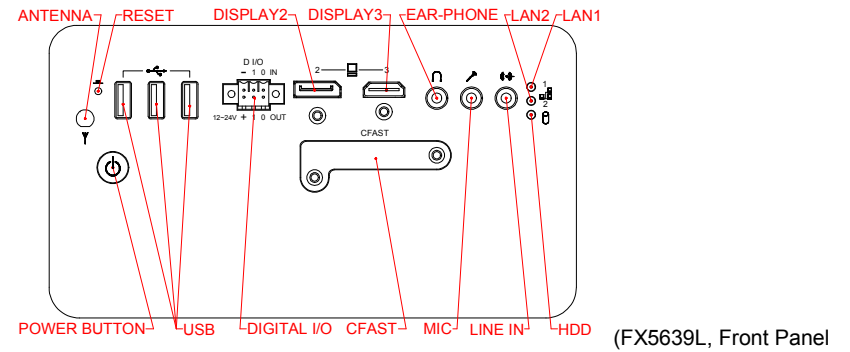
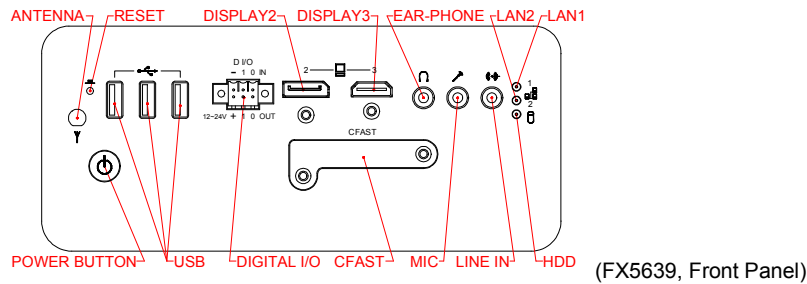
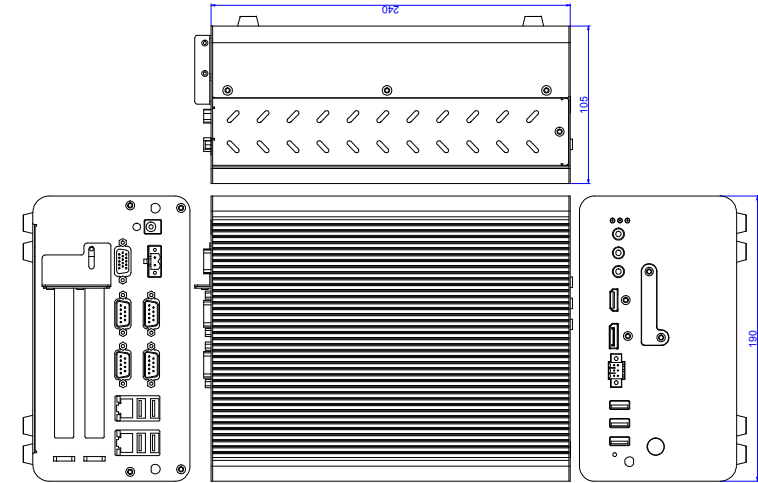
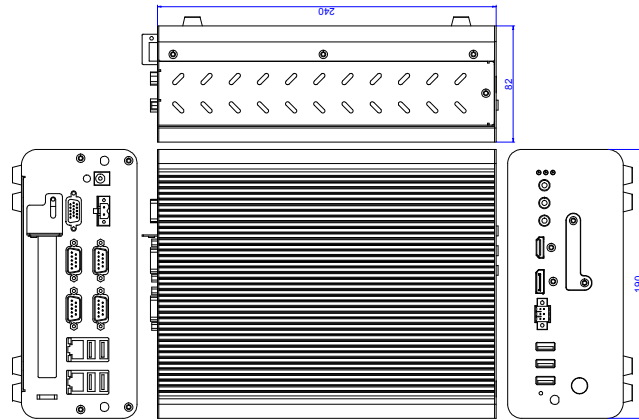


1. Brief

The FX5639x is a fanless, compact size embedded system with Intel® N3160 processor board inside. This user's quick reference provides the I/O outlets description and their pin assignment.

2. Dimensions (in mm) and Front/Rear Panel Information



3. Packing List

A. Standard Items

- 1 FX5639x embedded system.
- 1 AC to DC power adapter, 1 AC power cord cable, and 1 pair of cable-tie.
- 1 2-pin apartable terminal block. (Pitch: 5.08mm)
- 1 6-pin apartable terminal block. (Pitch: 3.5mm)
- 1 pack of 4 rubber stands with 4 fixed screws.
- 6 (2/2/2) screws for HDD/riser card/minicard (mini PCIe) installation.
- 1 compact disc includes software utilities and manuals.

B. Optional Items for All FX5639x system

- # Half size mini PCIe module adapter kit (AK1006, 1 piece of metal with 2 screws, P/N: 0606010028G)
- # Wall-Mount kit (FX5636K1, P/N: 0606010027G, 2 pieces of metal with 4 fixed screws)

C. Optional Items for FX5639

- # 1 slot PCI riser card (FB4705, P/N: 0153000001G)
- # 1 slot PCIe riser card (FB4744, P/N: 0120010003R)

D. Optional Items for FX5639L

- # 1 slot PCI and 1 slot PCIe riser card (FB4745, P/N: 0120010004R)
- # 2 slot PCI riser card (FB4730, P/N: 0153010001G)

4. Features

* Processor Board

Intel® Atom N3160 (1.6GHz to 2.24GHz, 4C/4T, 2MB Cache, 1600MHz FSB, 6 Watts) low power processor with 4GB DDR3L RAM. (8GB DDR3L maximum)

* I/O Outlets

- Two 100/1000 base-TX Ethernet ports.
- 7 USB (3 for V3.0) ports, 2 RS-232, and 2 RS-232/422/485 serial ports.
- 1 VGA, 1 HDMI, 1 DP display port, 1 Line-In, 1 Earphone, and 1 Microphone connectors.
- 1 DC-In plug connector, 1 2-pin terminal block, and 1 power button.
- 2 isolated inputs and 2 isolated outputs.
- 1 HDD/CFast access LED and 2 LAN LEDs.
- 1 free PCI/PCIe expansion slot. (Depend on riser cards and FX5639 only)
- 1 free PCI and 1 free PCIe expansion slots. (Depend on riser cards and FX5639L only)

* Storage Bay

- 1 CFast socket for CFast modules.
- 1 mini PCIe socket and 1 SIM socket.
- One 2.5" SATA hard disk space.

* Power requirement

+12 ~ +24V DC, 2.75A maximum (1.15A typical) with 19V input voltage, and w/o expansion cards.

* Dimensions

FX5639: 190.0mm (W) x 240.0mm (D) x 82mm (H) without rubber stands and wall mounting kit.
FX5639L: 190.0mm (W) x 240.0mm (D) x 105mm (H) without rubber stands and wall mounting kit.

* Weight

FX5639: 3.35Kg/2.55Kg with/without packing and accessories.
FX5639L: 3.65Kg/2.85Kg with/without packing and accessories.

5. I/O outlets and LED Indicators

A. Power Connectors (DC +12 to +24V, 65W minimum)



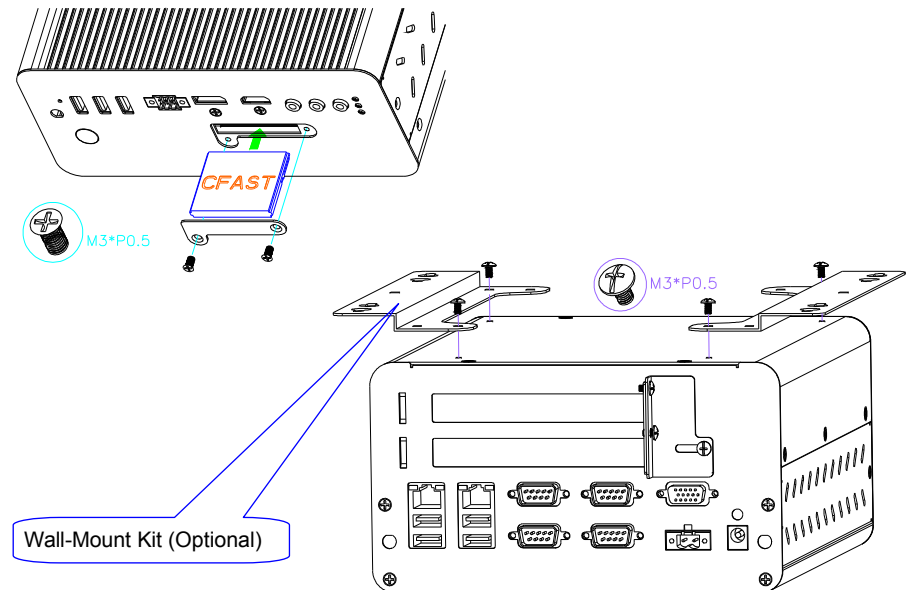
B. LAN LED Indicators (RJ45)

The LAN port is a RJ45 connector with 2 LEDs. The orange LED indicates data is accessing and the green LED indicates on-line status.

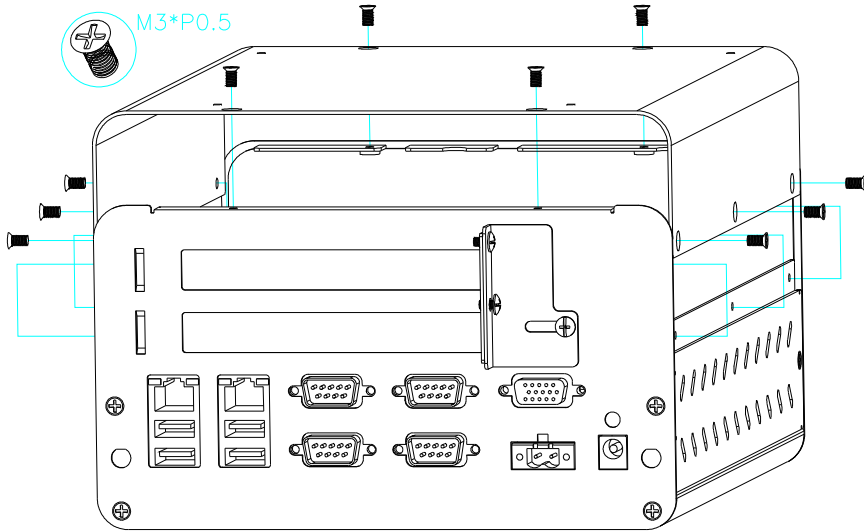
6. Software Configuration and Driver Installation

Please refer to the driver installing documentaion in the included Compact Disc for installing what device driver you need. If you need to change the system settings or configurations of I/O ports, Please refer to User's Manual (also in the included Compact Disc) for details.

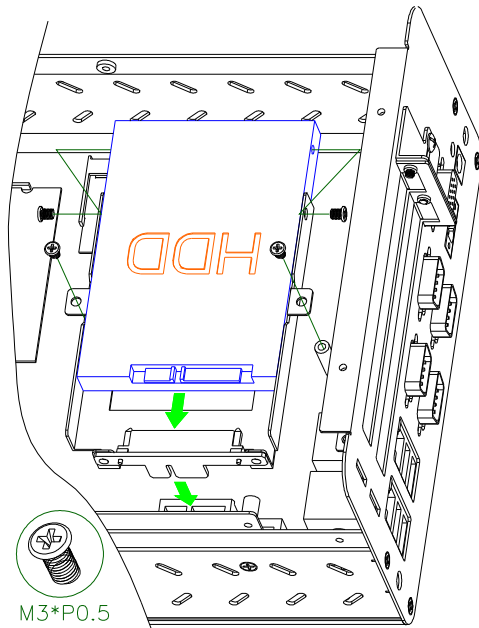
7. Install the CFAST Module and Wall-Mount Kit



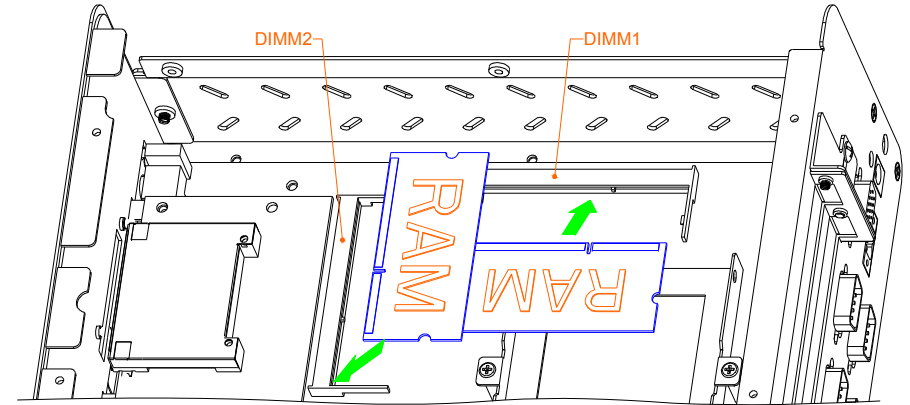
8. Open the Bottom Cover for installing HDD, DDR3L, mini-PCle modules (WLAN), Antenna, and Riser Cards



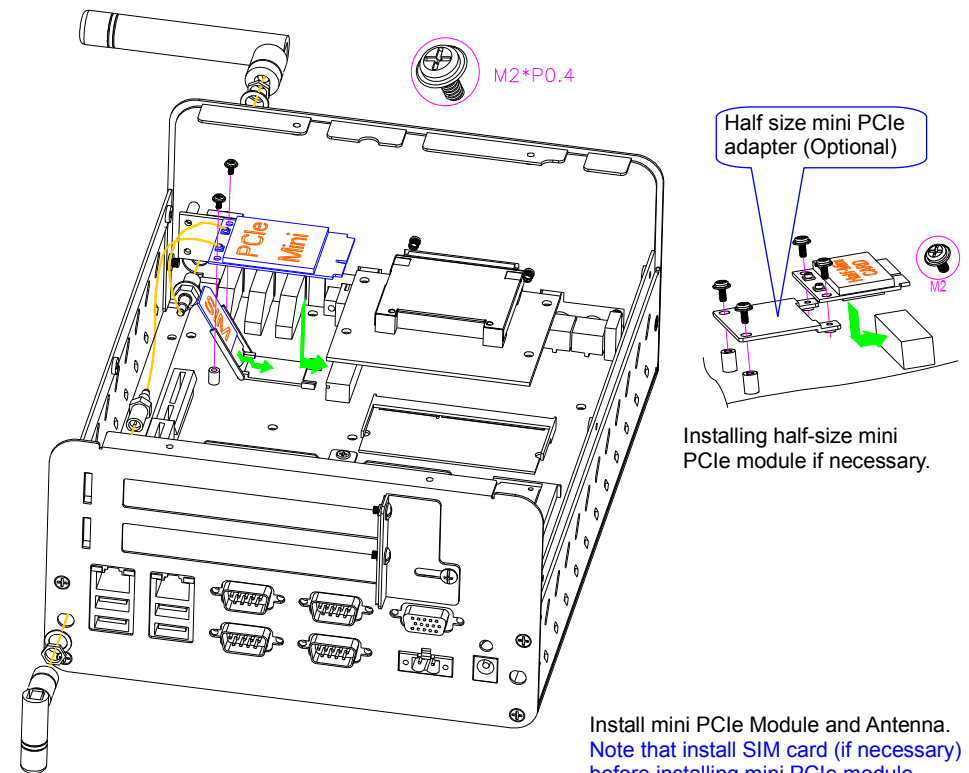
Release 10 screws as upper figure shown



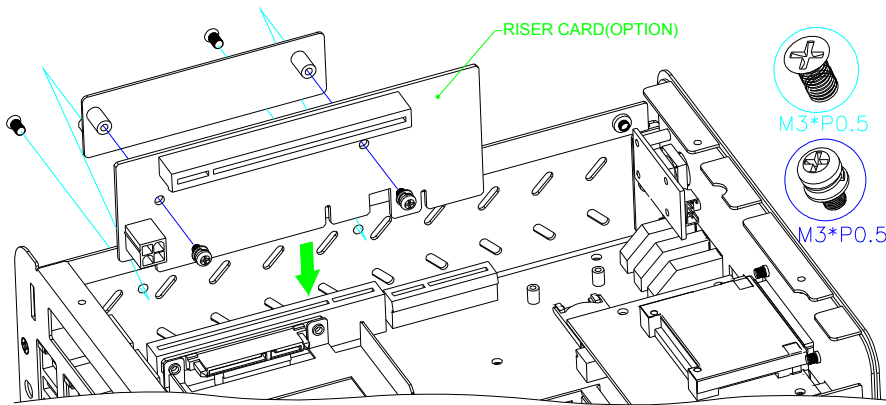
Install SATA HDD as left figure shown. (2+2 screws)



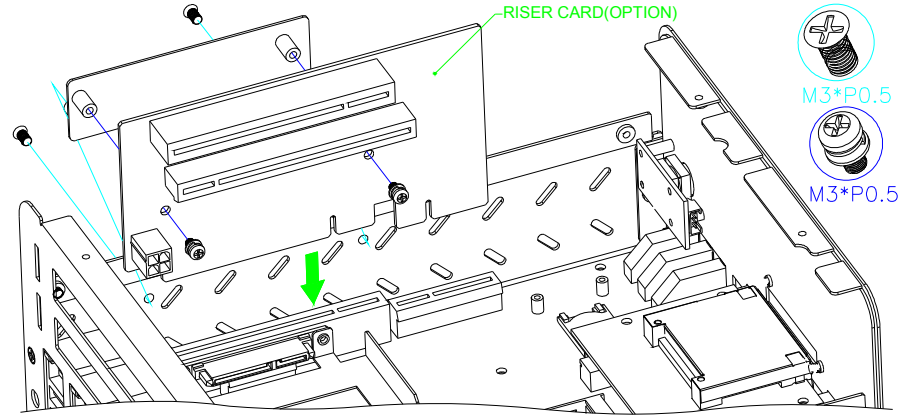
Install DDR3L RAM Modules



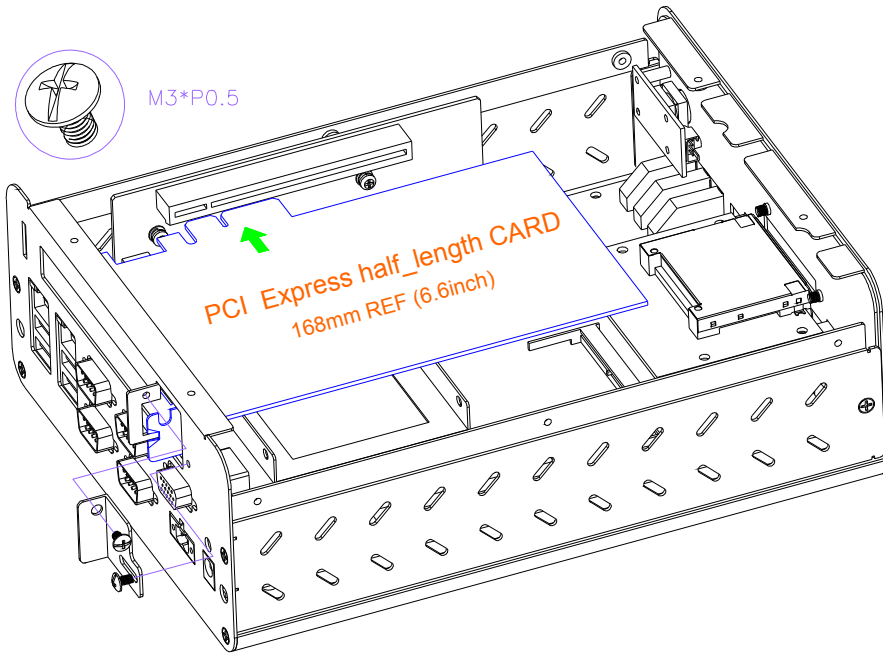
Install mini PCIe Module and Antenna. Note that install SIM card (if necessary) before installing mini PCIe module.



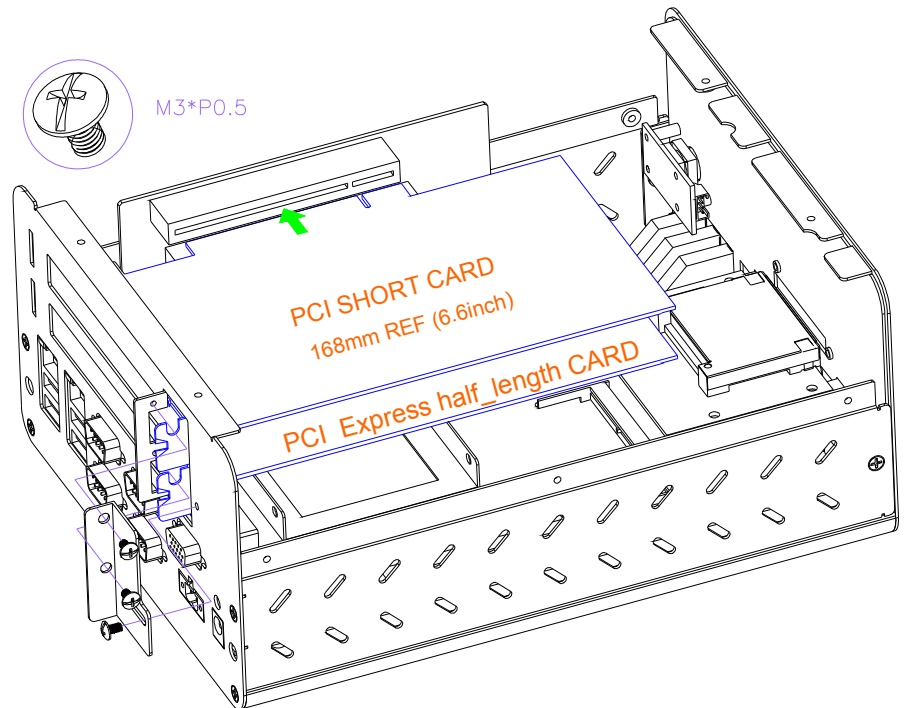
Install the riser card (Optional) for FX5639.



Install the riser card (Optional) for FX5639L.



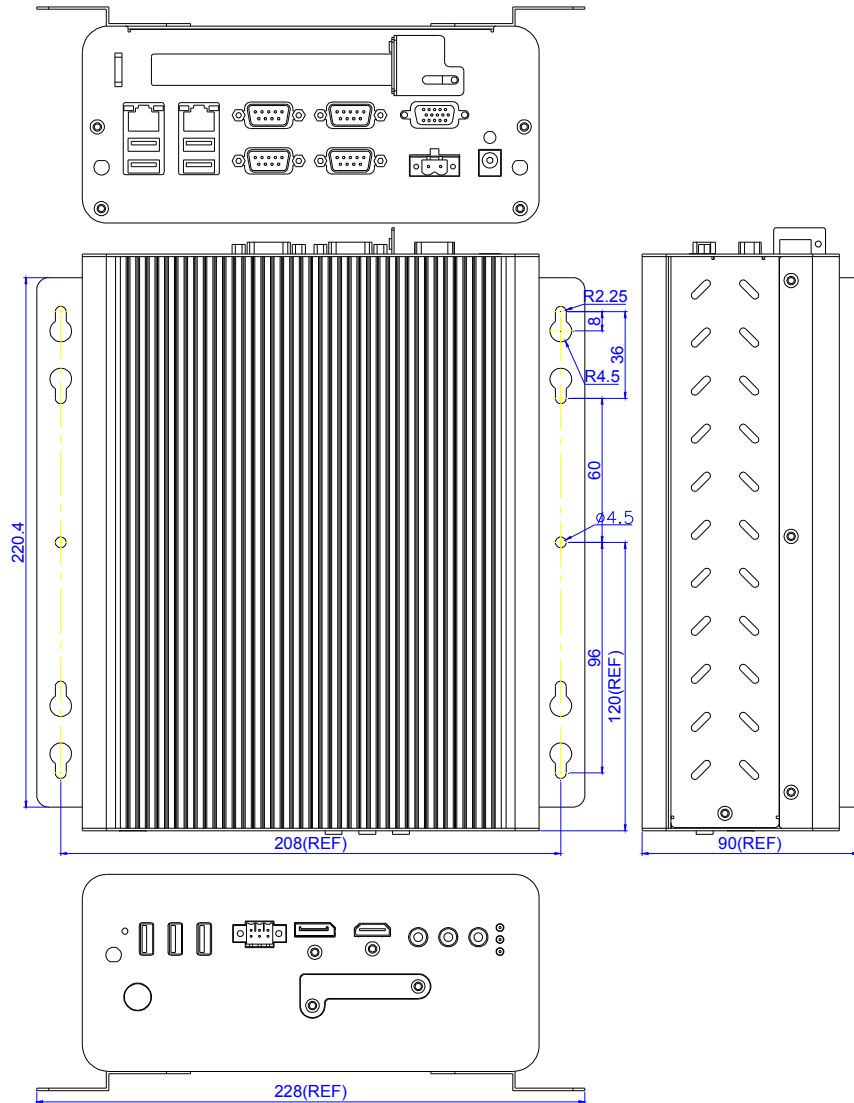
Install the add-on card to the PCI/PCIe slot smoothly with fixed screws. (FX5639)



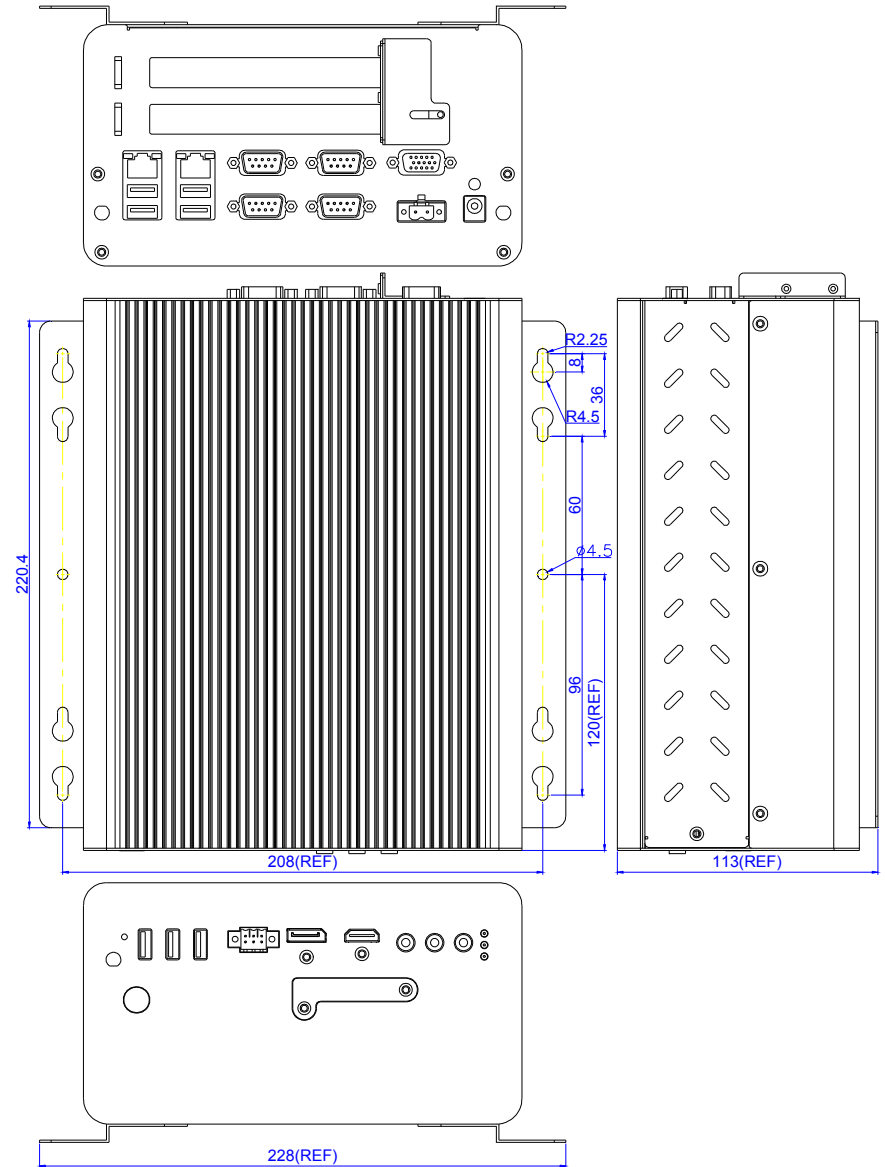
Install the add-on card to the PCI/PCIe slot smoothly with fixed screws. (FX5639L)

After all installations done, close bottom cover and fasten 10 screws

9. Dimensions (in mm) of FX5639 with Wall-Mount Kit (FX5636K1)



10. Dimensions (in mm) of FX5639L with Wall-Mount Kit (FX5636K1)



End of Document