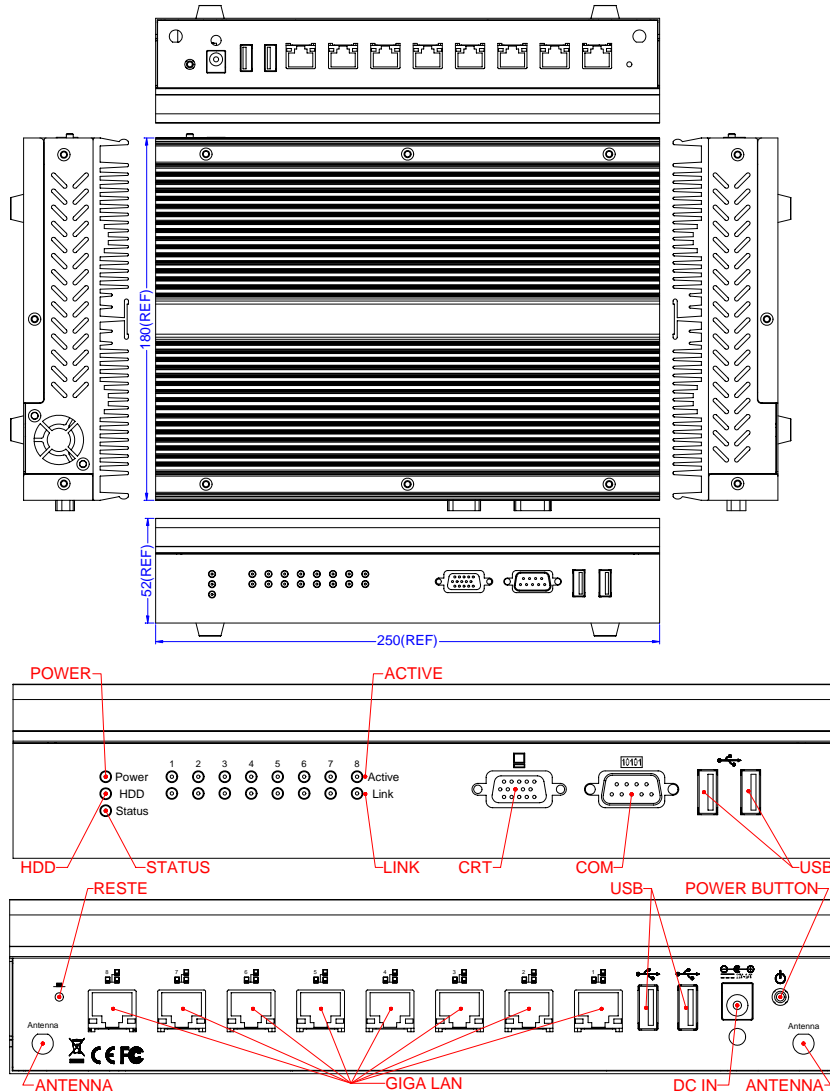


## 1. Brief

The FX5625 is a compact size embedded system with Intel® Atom™ D525 processor board inside. This user's quick reference provides the I/O outlets description and their pin assignment.

## 2. Dimensions (in mm) and Front/Rear Panel Information



## 3. Packing List

### A. Standard Items

- 1 FX5625x embedded system.
- 1 AC to DC19V power adapter and 1 AC power cord cable.
- 1 pack of 2.5" SATA hard disk installation kit. (2 cables with 4 fixed screws)
- 1 compact disc includes software utilities and manuals.

### B. Optional Items

- Half size mini PCIe module adapter kit (AK1006, 1 piece of metal with 2 screws, P/N: 0606010028G)
- Wall mounting kit (FX5501K1, 2 stands with 4 screws, PN: 0606010009G)
- Rack mounting kit (FX5622K1, 2 pieces of metal with 4 fixed screws, P/N: 0606010024G)
- Panel back mounting kit (FX5504K1, 1 stand with 2 screws, P/N: 0606010012G)

## 4. Features

- \* **Processor Board**  
Intel® Atom™ D525 (1.8GHz, 1MB L2, FSB 800MHz, 13 Watts) processor with 2GB DDR3 RAM. (2 SoDIMM sockets, 1 is occupied, 4GB Maximum.)
- \* **I/O Outlets**  
Eight 10/100/1000 base-TX Ethernet ports.  
1 VGA (Analog) Connector.  
4 USB ports and 1 RS-232 serial port.  
1 mini PCIe socket for WLAN/GSM applications.  
1 DC Jack connector, 1 power button, and 1 reset button.  
1 power LED, 1 HDD/CF access LED, 1 user defined status LED, and 16 LAN LEDs.
- \* **Storage Bay**  
1 CFast socket for CFast modules.  
One 2.5" SATA hard disk space.
- \* **Power requirement**  
+12 ~ +24V DC, 3.2A maximum (1.5A typical) with 19V input voltage.
- \* **Mechanical**  
Dimensions: 180mm(D) x 250mm(W) x 52mm(H) without rubber stands  
Weight: 2.95Kg.(Standard packing)  
Approval: CE

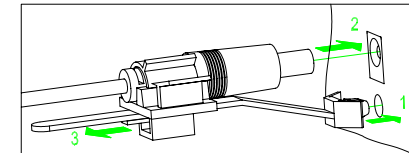
## 5. I/O outlets and LED Indicator

### A. Power Connectors

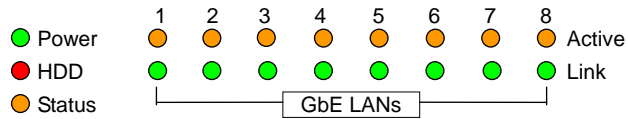


DC Plug-In Connector

DC +12V to +24V, 65W minimum



## B. LED Indicators

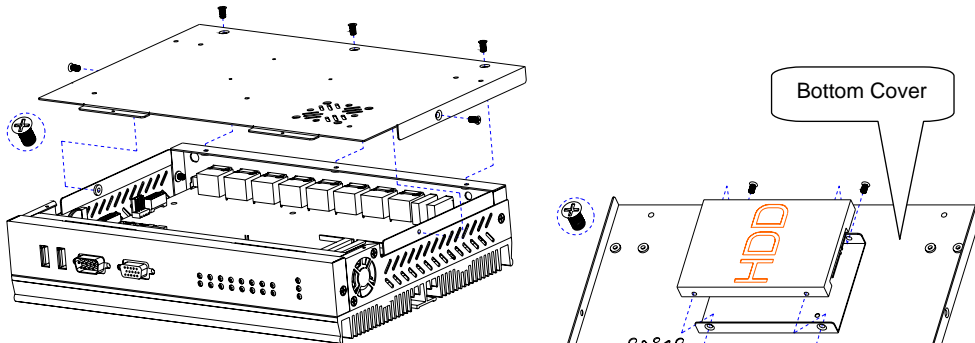


There are 16 LAN LEDs located on front panel and 16 LAN LEDs located on 8 RJ45 connectors. The orange LED indicates data is accessing and the green LED indicates on-line status. (When lighted indicates on-line and off indicates off-line)

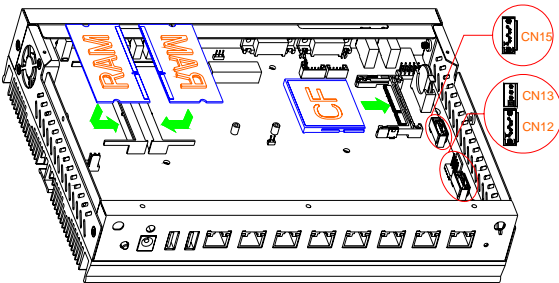
## 6. Software Configuration and Driver Installation

Please refer to the driver installing documentaion in the included Compact Disc for installing what device driver you need. If you need to change the system settings or configurations of I/O ports, Please refer to the User's Manual (also in the included Compact Disc) for details.

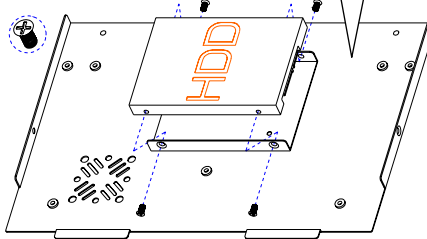
## 7. Installing/Changing All Equipments on FX5625x



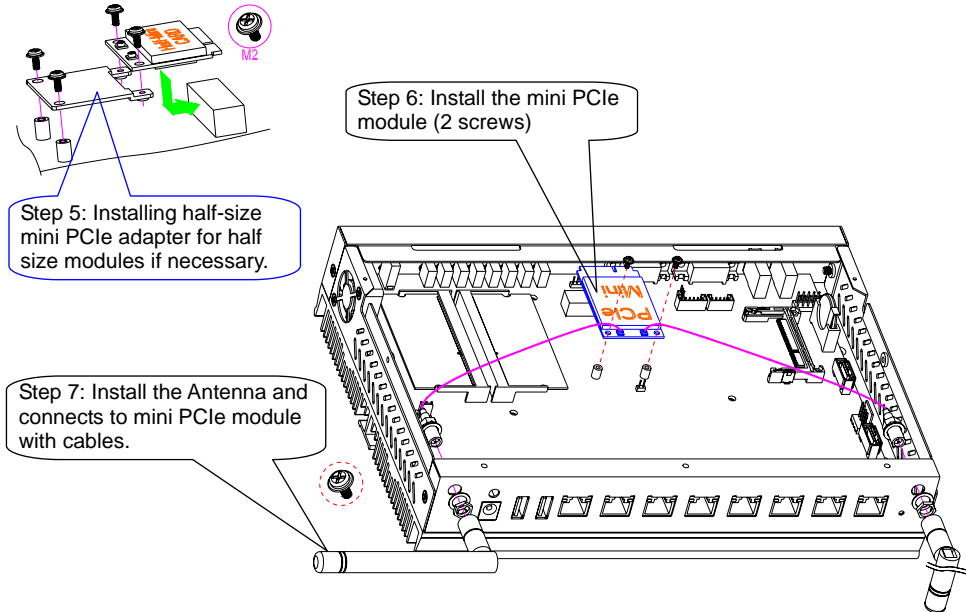
Step 1: Open the bottom cover (5 screws)



Step 4: Install CFAST and DDR3 modules



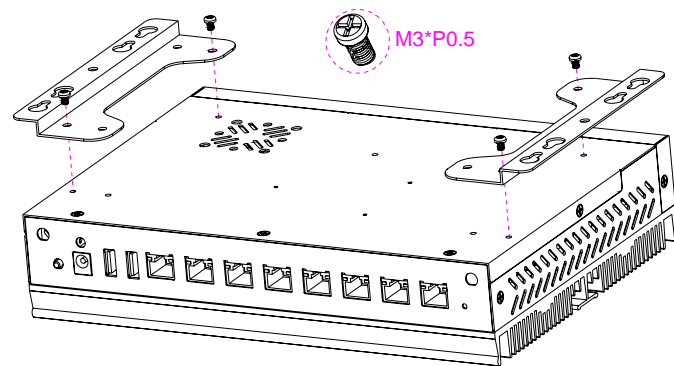
Step 2: Install 2.5" SATA HDD (4 screws)  
Step 3: Connecting SATA Cables (2 cables)



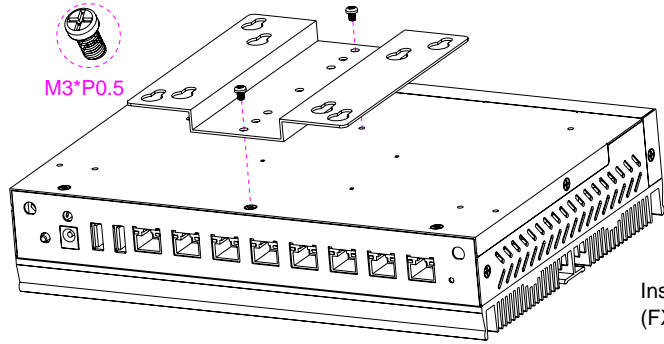
Note: The mini PCIe module and the Antenna set are optional items.

Step 8: Close case with reverse procedures of open the case.

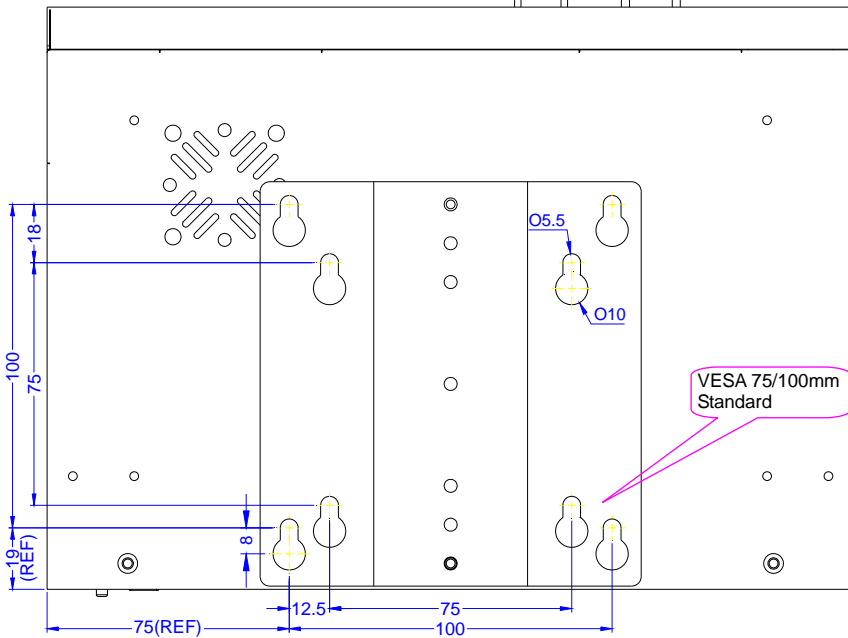
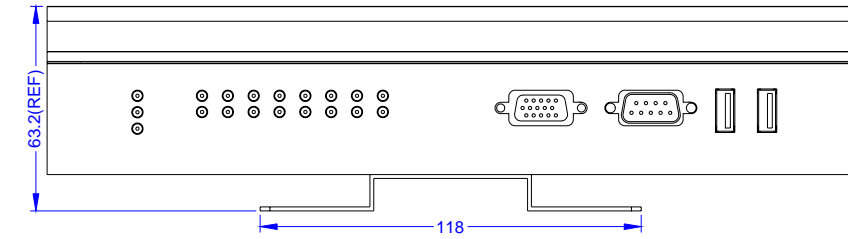
## 8. Installing Mounting Kit for FX5625x



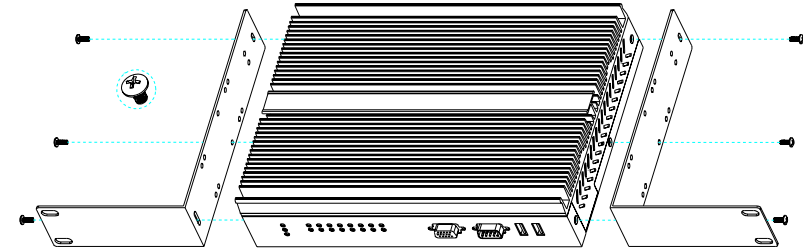
Installing Wall Mount Kit (FX5501K1, 4 screws)



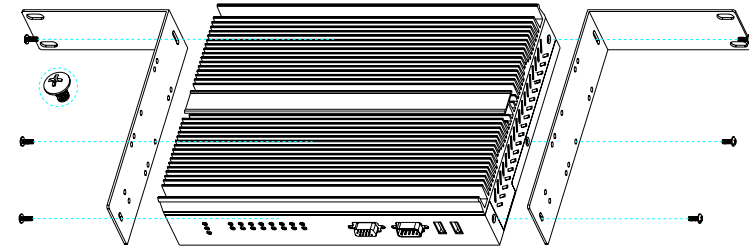
Installing LCD Back Mount Kit (FX5504K1, 2 screws)



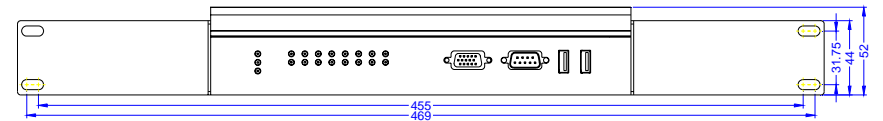
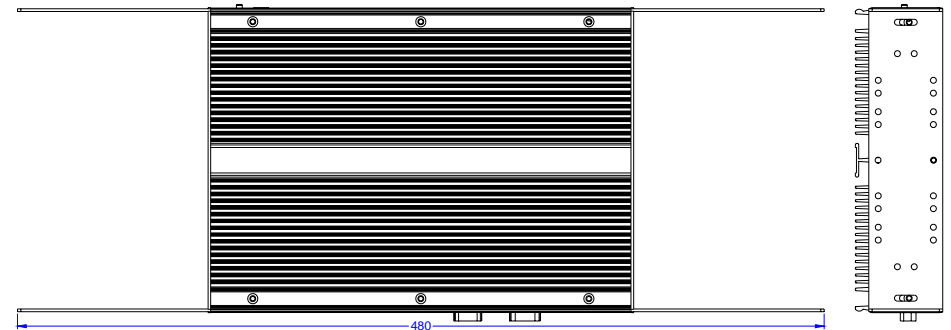
Dimensions for LCD Back Mount Kit



Installing Rack Mount Kit – Mode 1 (4 + 2 original screws)



Installing Rack Mount Kit – Mode 2 (4 + 2 original screws)



End of Document