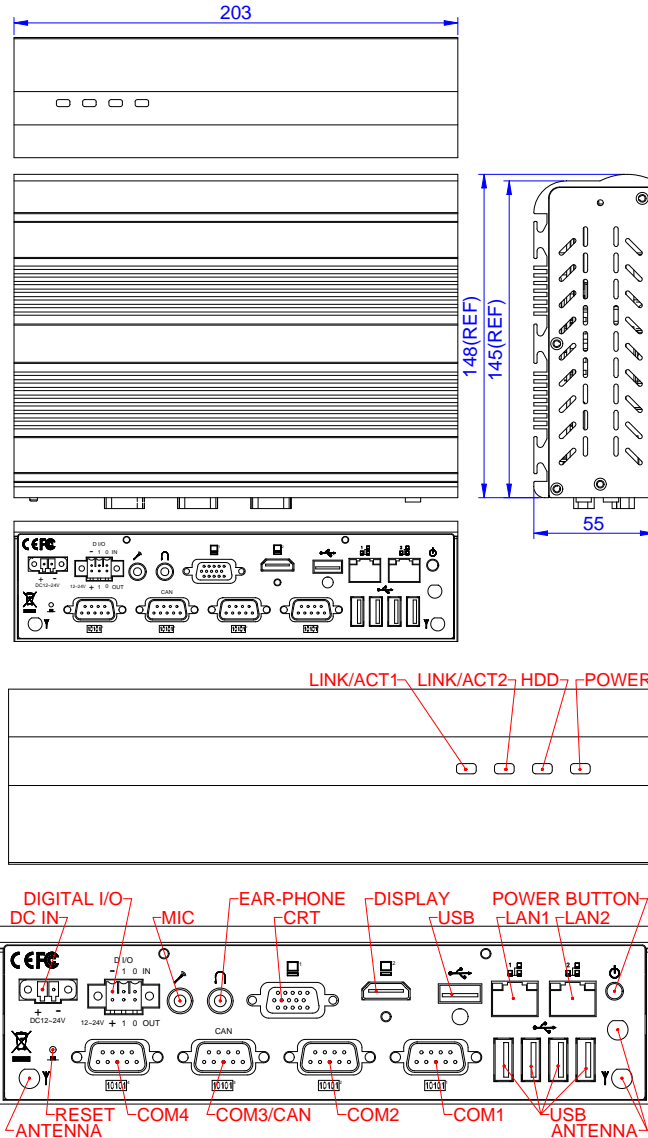


1. Brief

The FX5511 is a compact size embedded system with Intel Celeron J1900 quad core processor board inside. This user's quick reference provides the I/O outlets description and their pin assignment.

2. Dimensions (in mm) and Front/Real Panel Information



3. Packing List

A. Standard Items

- 1 FX5511 embedded system.
- 2 SATA cables (signal & power) and 4 screws for fixing and connecting a 2.5" hard disk drive.
- 1 2-pin apartable terminal block and 4 screws for full size mini PCIe module installation.
- 1 6-pin apartable terminal block for digital I/O input.
- 1 compact disc includes software utilities and manuals.

B. Optional Items

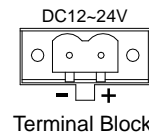
- Half size mPCIe module adapter kit (AK1006, 1 piece of metal with 2 screws, P/N: 0606010028G)
- Wall mounting kit (FX5501K1, 2 stands with 4 screws, P/N: 0606010009G)
- Panel back mounting kit #1 (FX5407K3, 2 pieces of metal with 2+10 screws, P/N: 0606010038R)
- Panel back mounting kit #2 (FX5504K1, 1 stand with 2 screws, P/N: 0606010012G)
- Rack mounting kit (FX5507K2, 1 piece of metal with 5+4 screws, P/N: 0606010029G)
- Din Rail mounting kit (AK1010, 3 pieces of metal with 2+4 screws, P/N: 0606010046G)

4. Features

- * **Processor Board**
Intel Celeron J1900 processor (2.0GHz to 2.42GHz, 4C/4T, 2MB Cache, 1333MHz FSB, 10 Watts) with 4GB DDR3L RAM.
- * **I/O Outlets**
Two 10/100/1000 base-TX Ethernet ports.
5 USB ports, 2 RS-232, 1 RS-232/422/485, and 1 RS232/CAN BUS serial ports.
1 VGA and 1 HD display port, 1 Earphone and 1 Microphone connectors.
2 sockets for mini PCIe modules, especially for WLAN/GPRS/3G modules.
1 2-pin terminal block for power input with 1 power push button.
1 6-pin terminal block for digital I/O input.
- * **Storage Bay**
1 CompactFlash socket and 1 SD socket.
1 SIM socket for GPRS/3G moduals.
One 2.5" SATA hard disk space.
- * **Power requirement**
+12 ~ +24V DC, 2.2A maximum (1.2A typical) with 19V input voltage.
- * **Dimensions**
148mm(D) x 203mm(W) x 55mm(H)

5. I/O outlets and LED Indicators

A. Power Connectors (DC +12 to +24V, 50W minimum)



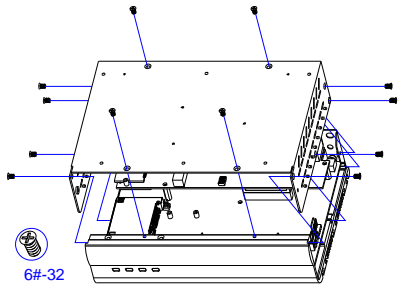
B. LAN LED Indicators (RJ45)

The LAN port is a RJ45 connector with 2 LEDs. The orange LED indicates data is accessing and the green LED indicates on-line status.

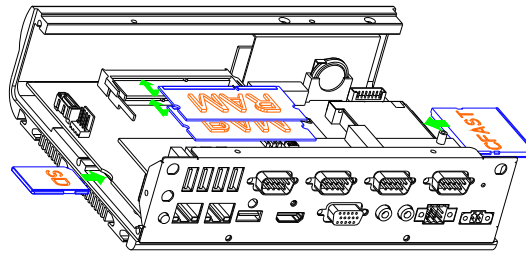
6. Software Configuration and Driver Installation

Please refer to the driver installing documentaion in the included Compact Disc for installing what device driver you need. If you need to change the system settings or configurations of I/O ports, Please refer to User's Manual (also in the included Compact Disc) for details.

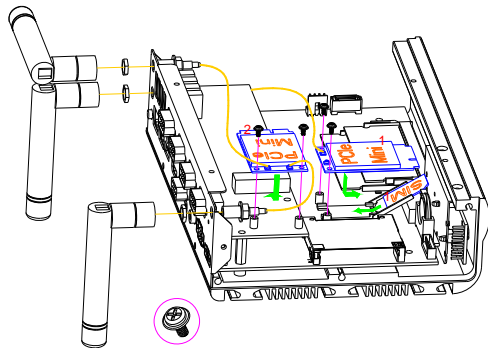
7. Installing Devices into FX5511



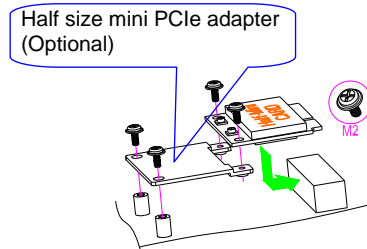
Step 1: Open the Bottom Cover (12 screws)



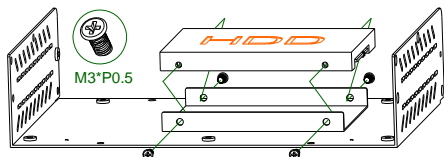
Step 2: Installing CF, SD & DDR3L Modules



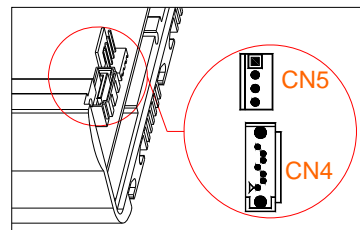
Step 3-1: Installing mini PCIe module, SIM Card, and Antenna(s)



Step 3-2: Installing half-size mini PCIe module if necessary.



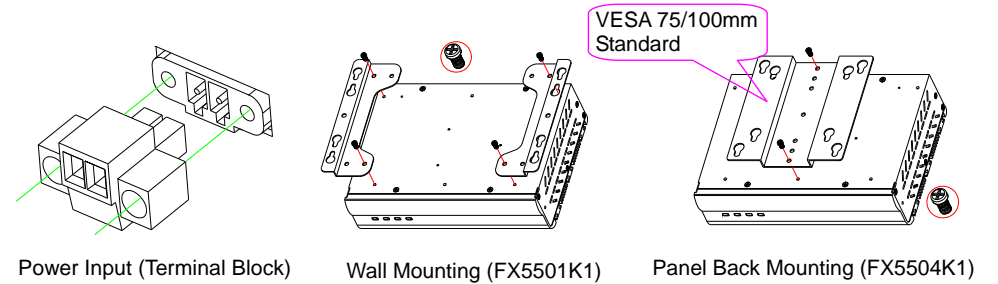
Step 4-1: Installing SATA HDD (4 Screws)



Step 4-2: Connecting power cable to CN5 of main board and signal cable to CN4 for SATA HDD.

Step 5: Close case with reverse procedures of open the case.

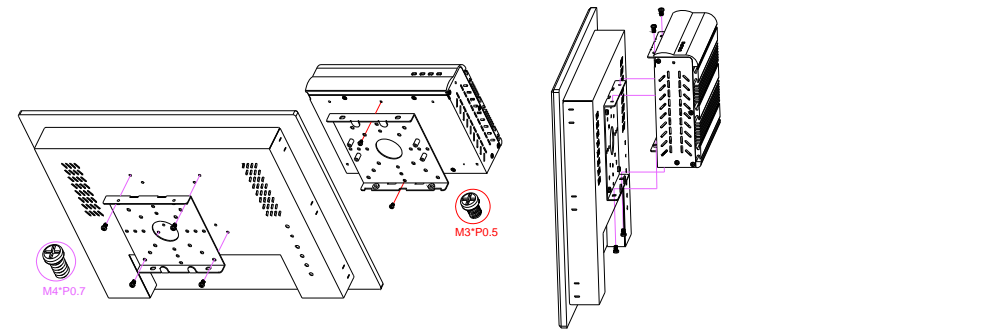
8. FX5511 Power Input and Mounting/Fixer Kits



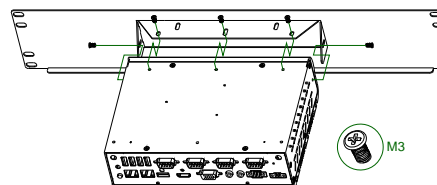
Power Input (Terminal Block)

Wall Mounting (FX5501K1)

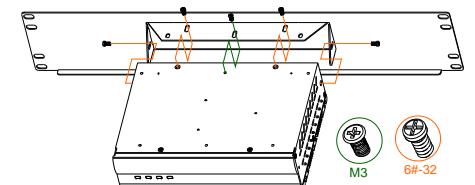
Panel Back Mounting (FX5504K1)



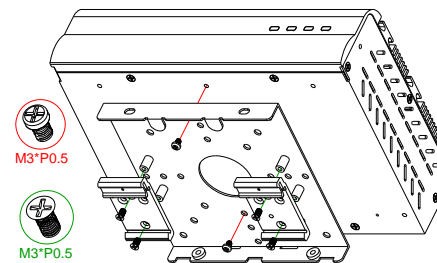
Panel Back Mounting (FX5407K3)



Rack Mounting (FX5507K2, front side view)



Rack Mounting (FX5507K2, rear side view)



Din-Rail Mounting (AK1010)

End of Document