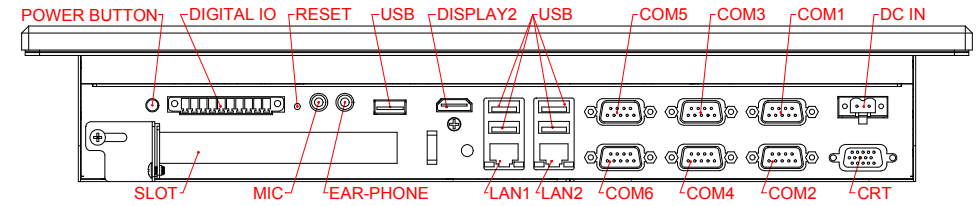
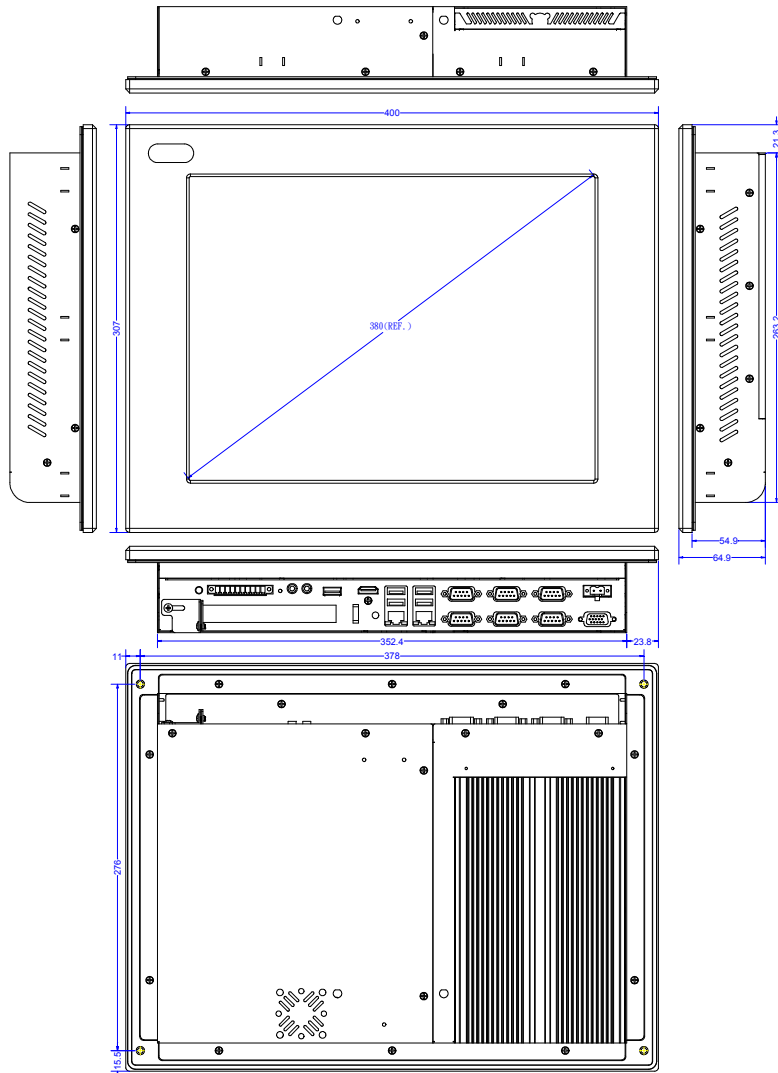


1. Brief

The FP8152T (FP8153T) is an 15-inch Panel PC with Intel® i5-4422E (FP8152T) or Atom™ E3845 (FP8153T) processor board inside and touch screen device. This user's quick reference provides its outlook information and I/O outlets description.

2. Dimensions (in mm) and Rear I/O Information



3. Packing List

A. Standard Items

- 1 FP8152T/FP8153T industrial Panel PC.
- 1 pack of 2 apartable terminal blocks, 2-pin for power input and 10-pin for isolated digital I/Os.
- 1 pack of embedded mounting kit. (8 metals with 8 screws)
- 1 pack of (4+4+4) screws for 2.5" SATA HDD installation, mini-card installation, and spare parts.
- 1 compact disc includes software utilities and manuals.

B. Optional Items

- Half size mini-card adapter kit (AK1006, 1 piece of metal with 2 screws, P/N: 0606010028G)
- Wall mounting kit (FP8152K1, P/N: 0606010042R, 1 piece of metal with 5+4 fixed screws)
- PCIe to PCI riser card (FB4757, P/N: 0153020012G)
- Slot guide kit for Add-On card (FP8152K2, P/N: 0606010043R, 1 piece of metal, 1 piece of plastic, and 3 fixed screws)

4. Features

* Processor Board

FP8152T: Intel® i5-4422E processor (1.8GHz to turbo 2.9GHz, dual core 4 thread, 3MB Cache, FSB 1333/1600MHz, 25 Watts) with 8GB DDR3L RAM. (16GB Max.)

FP8153T: Intel® Atom™ E3845 processor (1.91GHz, quad core 4 thread, 2MB Cache, FSB 1333MHz, 10 Watts) with 4GB DDR3L RAM. (8GB Max.)

* I/O Outlets

- Two 10/100/1000 base-TX Ethernet ports.
- 5 USB ports (One is V3.0), 2 RS-232/422/485, and 4 RS-232 serial ports.
- 1 VGA, 1 HD display port, and 2 Audio connectors for microphone and earphone.
- 1 mini-card socket and 1 SIM card holder for WLAN/GSM/GPRS applications.
- 1 free PCIe expansion slot or 1 free PCI expansion slot with optional FB4757 riser card.
- 1 terminal block for DC power input and 1 power button.
- 1 terminal block for 8 isolated digital I/Os.

* Storage Bay

- 1 CFast socket for CFast modules.
- One 2.5" SATA hard disk space.

* Power requirement

FP8152T: +12 ~ +24V DC, 3.00A maximum (2.00A typical) with 19V input voltage.

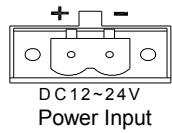
FP8153T: +12 ~ +24V DC, 2.74A maximum (1.76A typical) with 19V input voltage.

* Mechanical

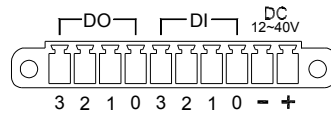
- Dimensions: 400mm(W) x 307mm(H) x 64.9mm(D)
- Weight: 7.6Kg (Standard packing)
- Approval: IP65 (Ref. to front panel approval)

5. I/O outlets and LED Indicator

A. Terminal Blocks

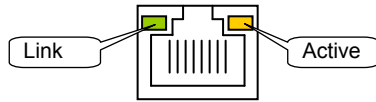


FP8152T: DC +12V to +24V, 70W minimum
 FP8153T: DC +12V to +24V, 65W minimum



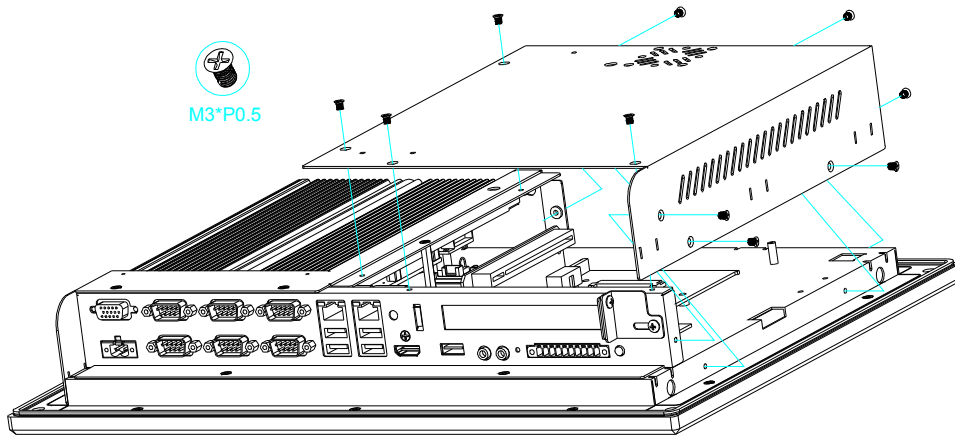
Digital Inputs and Outputs

B. LAN Connectors (RJ45 with 2 LEDs)

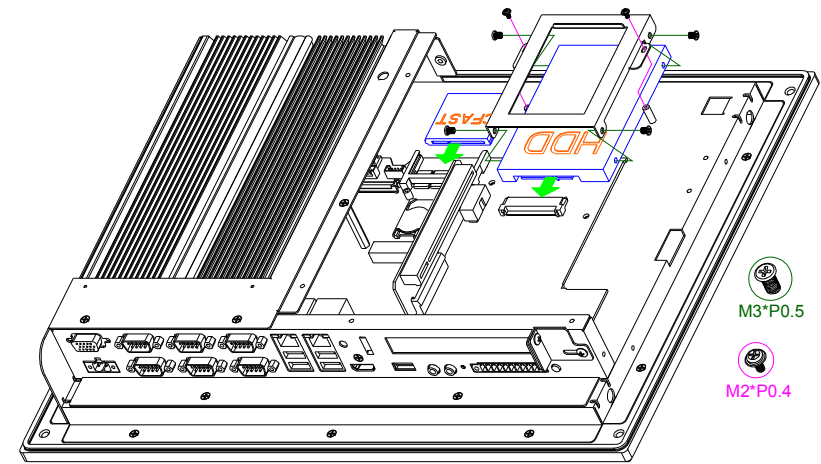


6. Installation

A. Install 2.5" Hard Disk, CFAST Module, PCIe Add-On Card, Mini PCIe/SIM Card Module, and Antenna to FP8152T/FP8153T

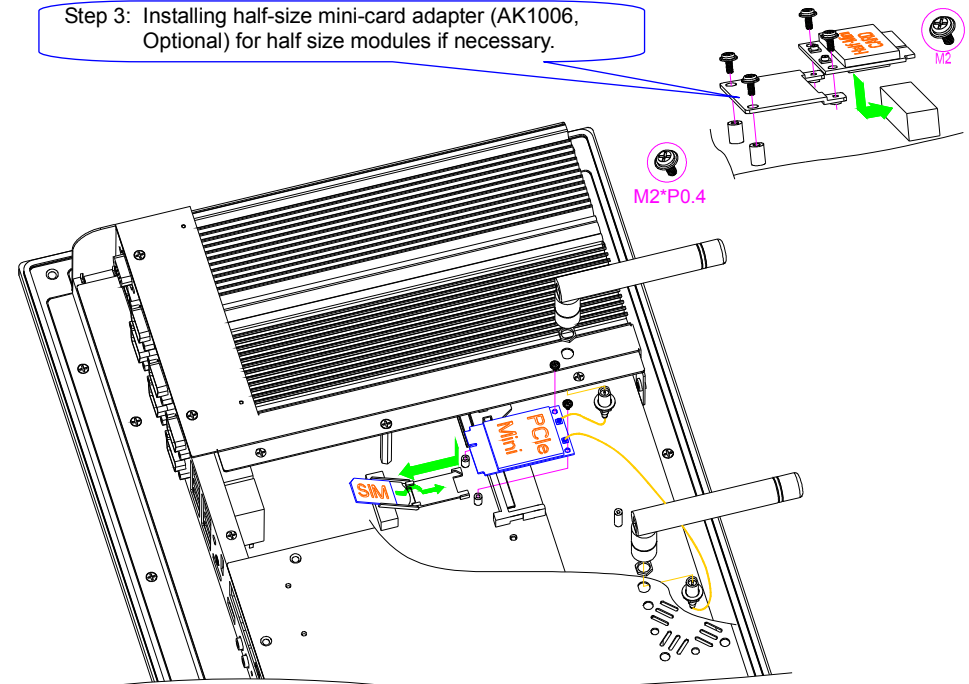


Step 1: Loosen 10 screws on back cover

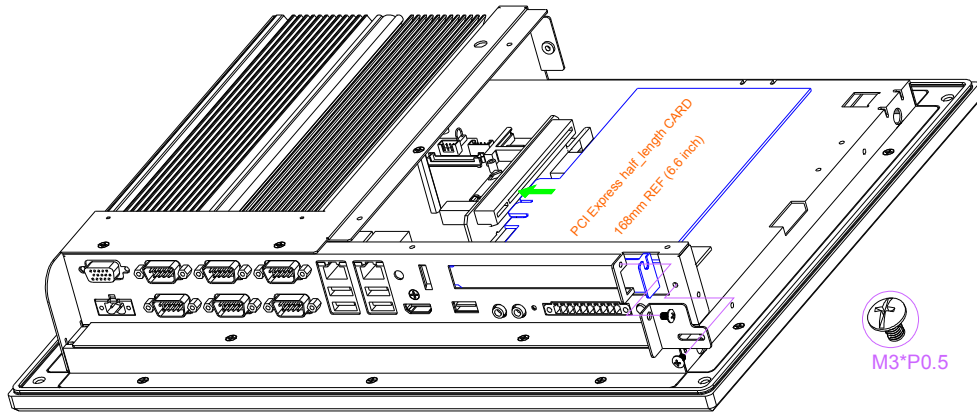


Step 2: Install CFAST module and 2.5" SATA HDD to the housing (4 screws) then insert to the dock (2 screws)

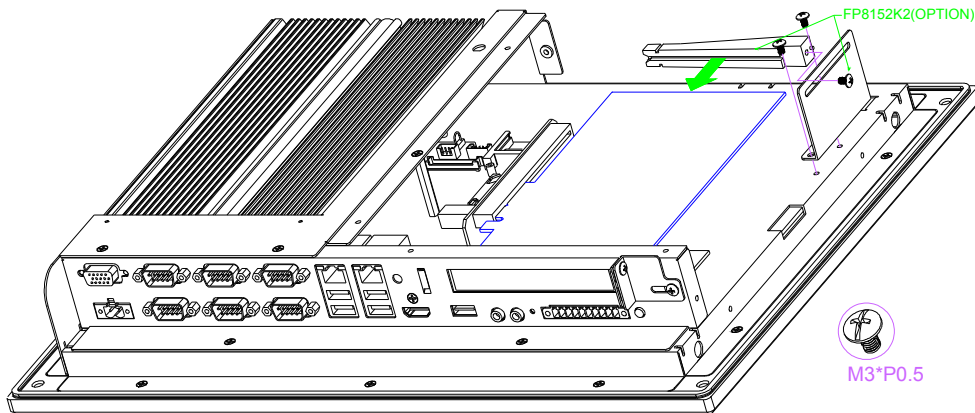
Step 3: Installing half-size mini-card adapter (AK1006, Optional) for half size modules if necessary.



Step 4: Install SIM Module (if necessary), mini-card module, Antennas, and connects with cables.



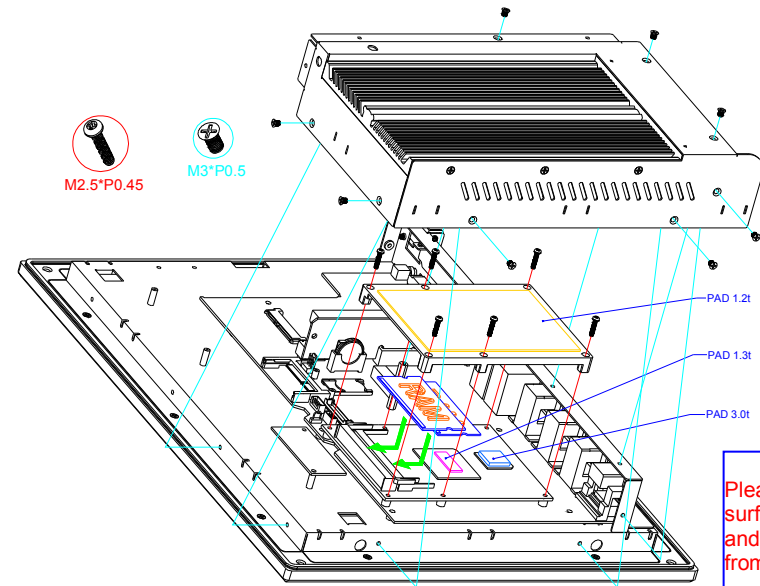
Step 5: Install PCIe Add-On card



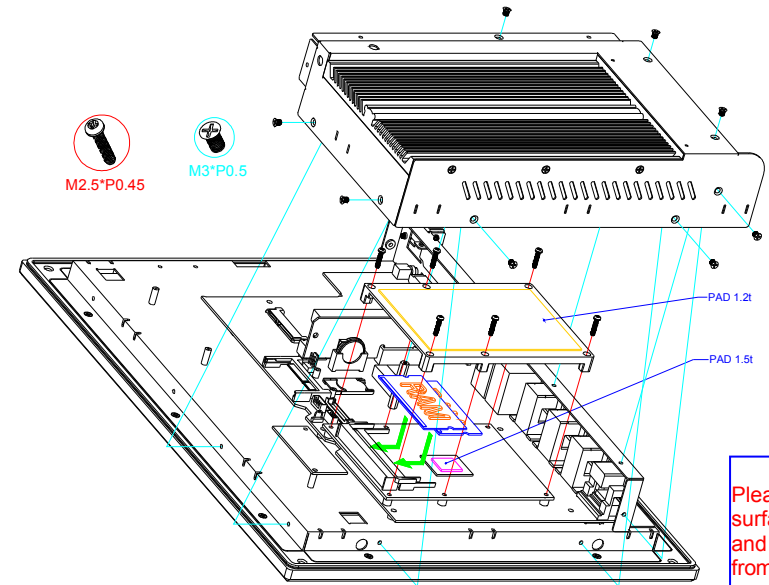
Step 6: Install slot guide kit (FP8152K2, Optional) for Add-On card if necessary.

Step 7: Close the side cover with reverse procedures of open the back cover.

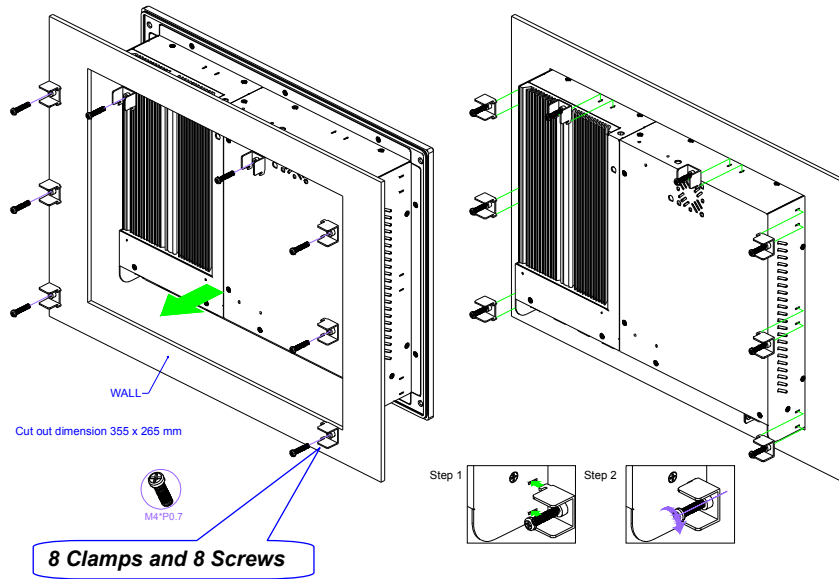
B. Installing/Changing SoDIMM Modules for FP8152T, Total 14 (8+6) screws



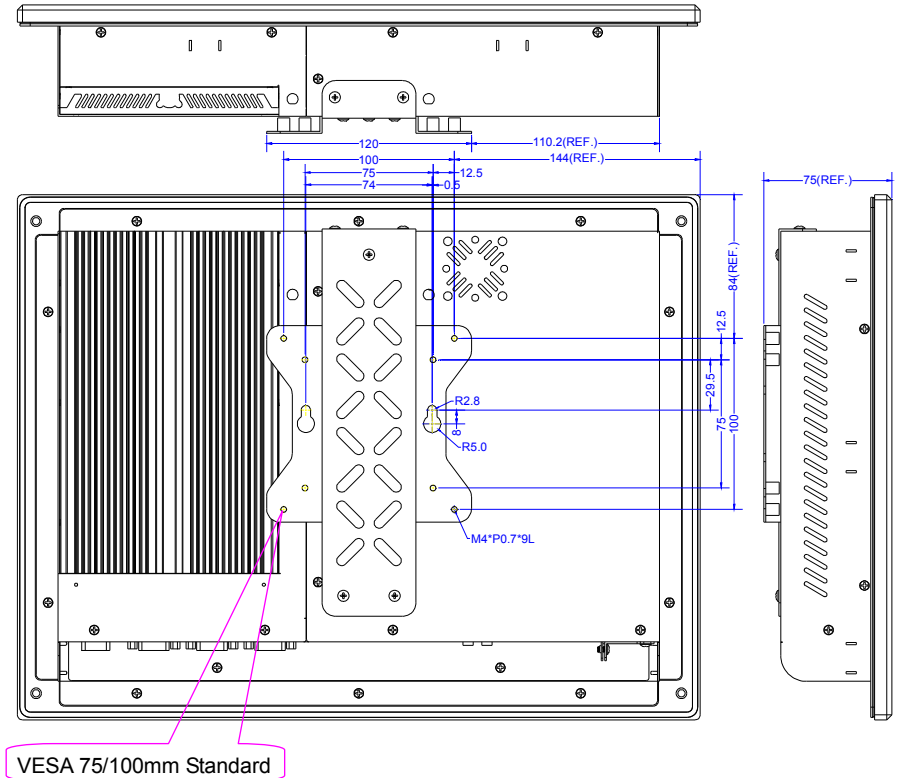
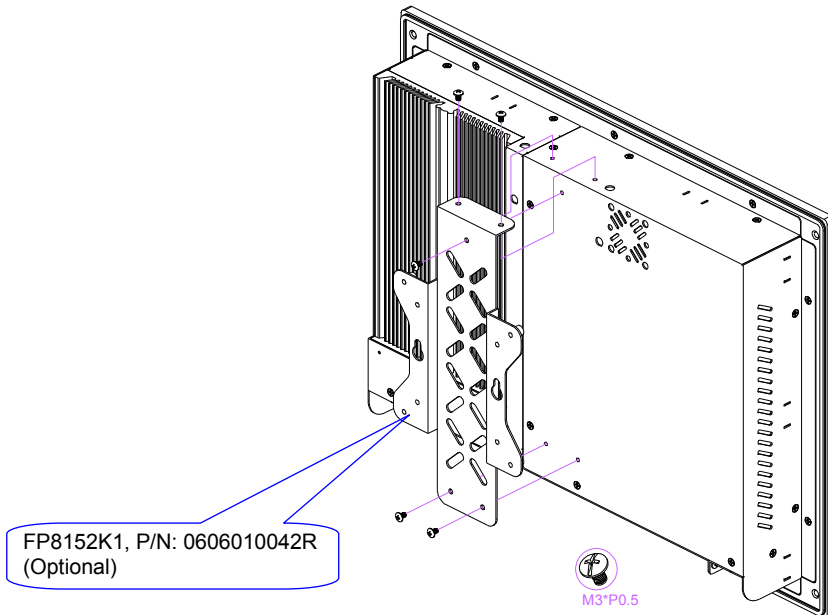
C. Installing/Changing SoDIMM Modules for FP8153T, Total 14 (8+6) screws



D. Embedded Mounting and Mounting Dimensions



E. Wall Mounting and Mounting Dimensions



End of Document