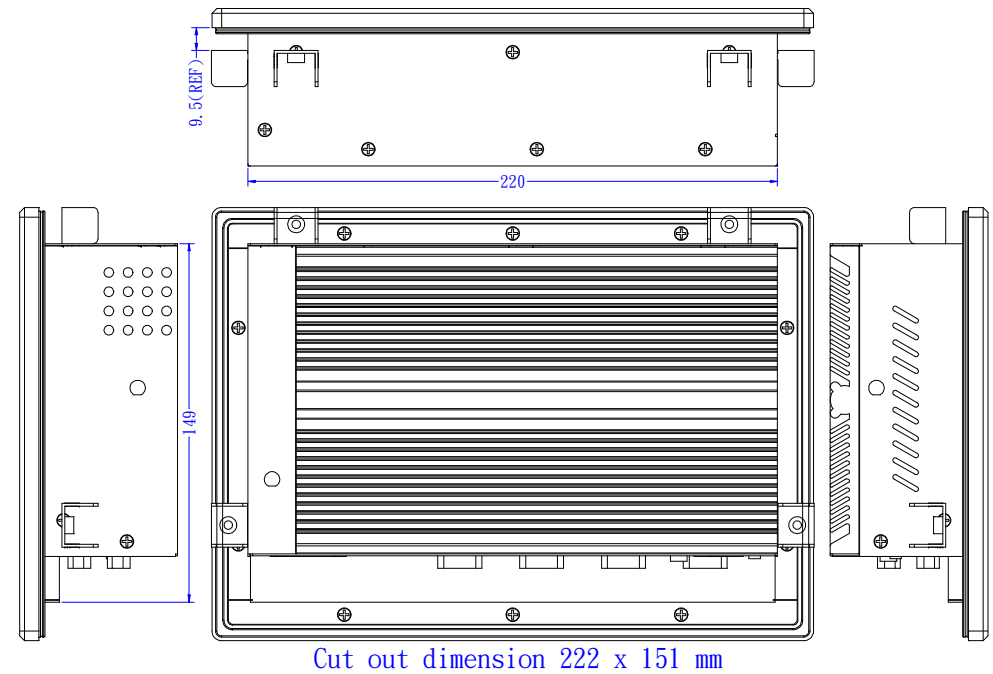
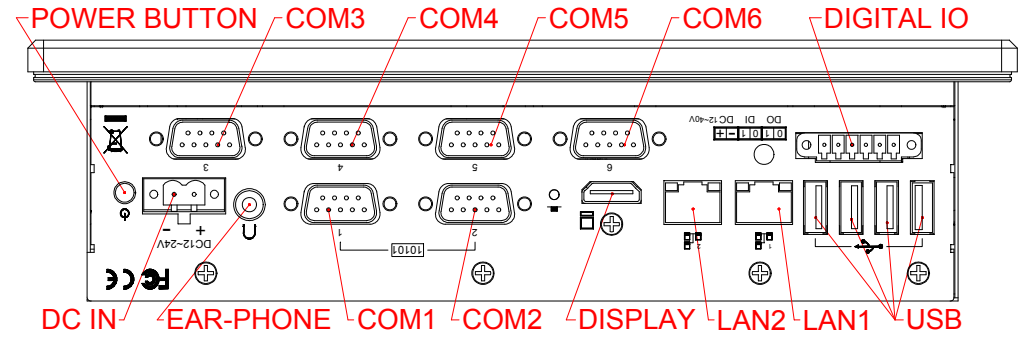
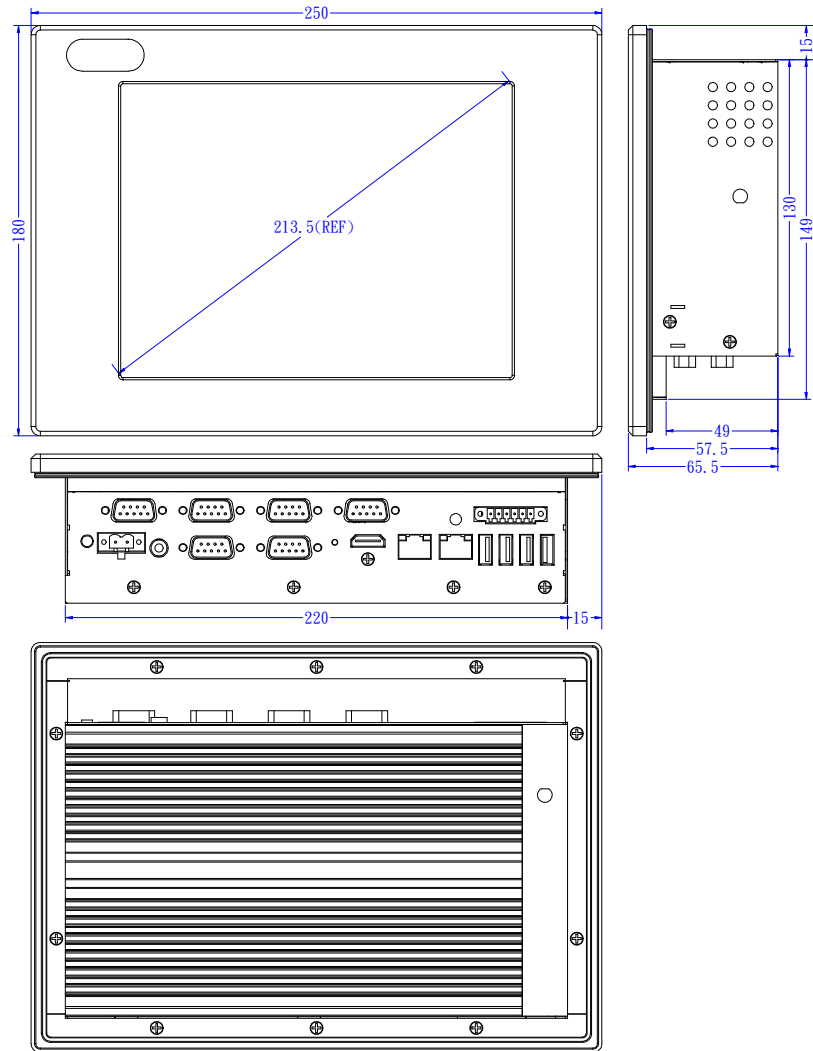


1. Brief

The FP8084T is an 8-inch Panel PC with Intel® Atom™ E3845 board inside and touch screen device. This user's quick reference provides its outlook information and I/O outlets description.

2. Dimensions (in mm) and Rear I/O Information



3. Packing List

A. Standard Items

- 1 FP8084T industrial Panel PC.
- 1 pack of 2 apartable terminal blocks, 2-pin for power input and 6-pin for isolated digital I/Os.
- 1 pack of embedded mounting kit. (4 metals with 4 screws)
- 1 pack of (4+2+4) screws for 2.5" SATA HDD installation, mini-card installation, and spare parts.
- 1 compact disc includes software utilities and manuals.

B. Optional Items

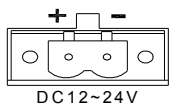
- Half size mini-card adapter kit (AK1006, 1 piece of metal with 2 screws, P/N: 0606010028G)
- Wall mounting kit (FP8084K1, P/N: 0606010041R, 1 piece of metal with 4 fixed screws)
- Din-Rail mounting kit (FP8084T needs 1 pack of FP8084K1 and 2 packs of AK1009) (AK1009 P/N: 0606010032R, 1 piece of metal with 3 fixed screws)

4. Features

- * **Processor Board**
Intel® Atom™ E3845 (1.91GHz, 2MB Cache, FSB 1333MHz, 10 Watts) processor with 4GB DDR3L RAM. (8GB Max.)
- * **I/O Outlets**
Two 10/100/1000 base-TX Ethernet ports.
4 USB ports (One is V3.0), 1 RS-232/422/485, and 5 RS-232 serial ports.
1 HD display port and 1 Audio connector for earphone.
1 mini-card socket and 1 SIM card holder for WLAN/GPRS applications.
1 terminal block for DC power input and 1 power button.
1 terminal block for 4 isolated digital I/Os.
- * **Storage Bay**
1 CFast socket for CFast modules.
One 2.5" SATA hard disk space.
- * **Power requirement**
+12 ~ +24V DC, 2.2A maximum (1.4A typical) with 19V input voltage.
- * **Mechanical**
Dimensions: 250mm(W) x 180mm(H) x 65.5mm(D)
Weight: 3.0Kg.(Standard packing)
Approval: IP65 (Ref. to front panel approval)

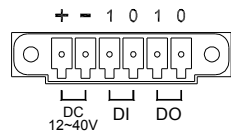
5. I/O outlets and LED Indicator

A. Terminal Blocks



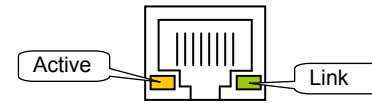
Power Input

DC +12V to +24V, 50W minimum



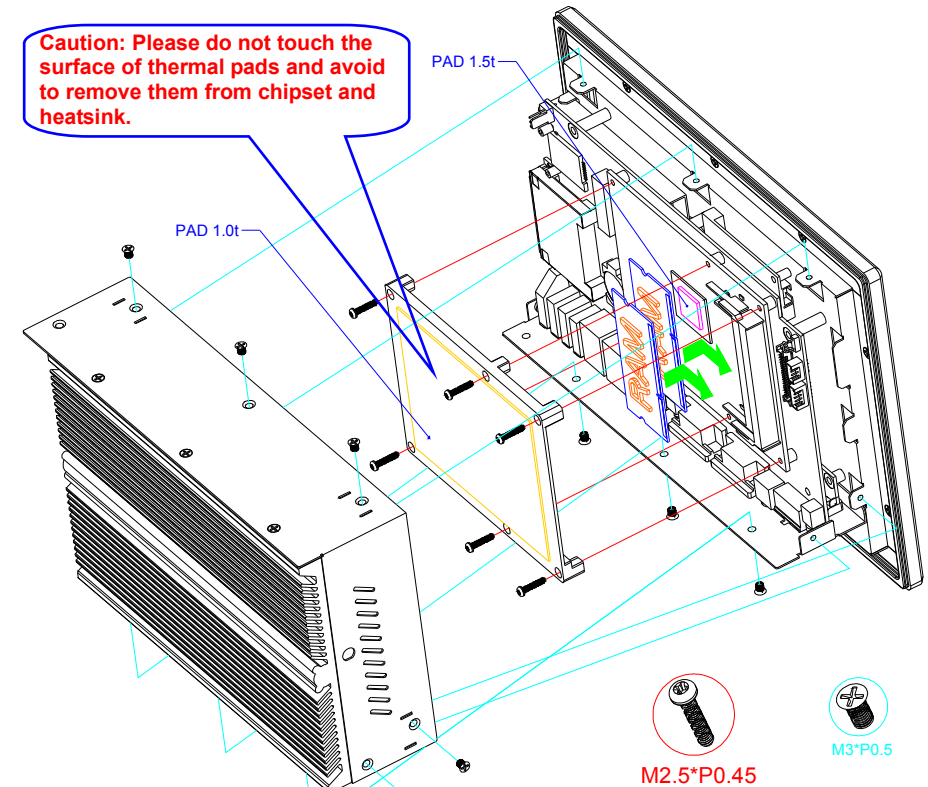
Digital Inputs and Outputs

B. LAN Connectors (RJ45 with 2 LEDs)

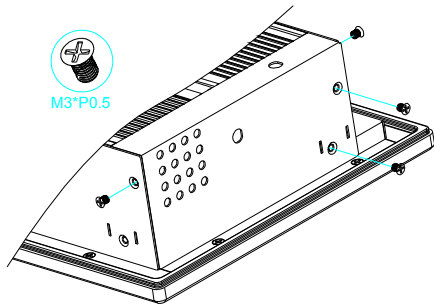


6. Installation

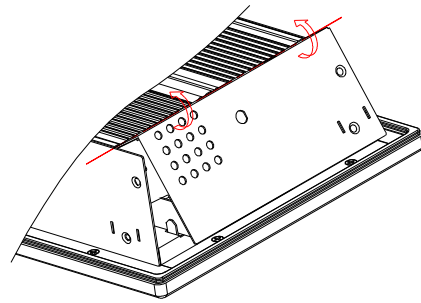
A. Installing/Changing SoDIMM Modules, Total 14 (8+6) screws



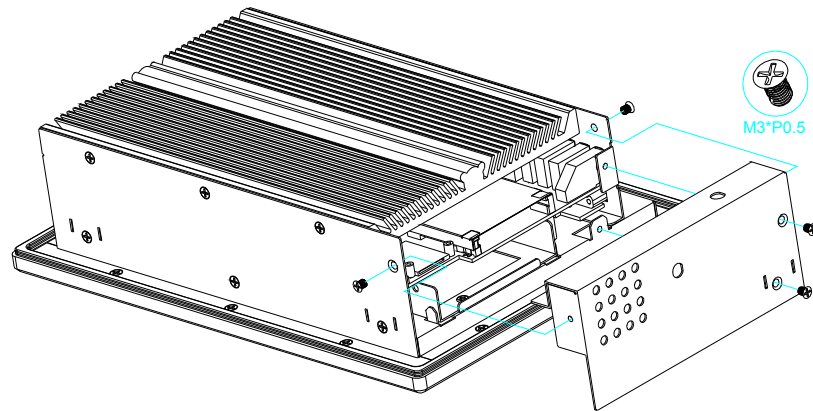
B. Install 2.5" Hard Disk, CFast Module, Mini PCIe/SIM Card Module, and Antenna to FP8084T



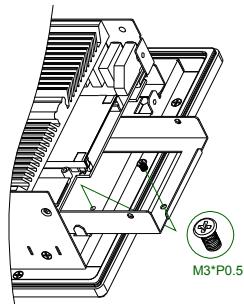
Step 1: Loosen 4 screws on side cover



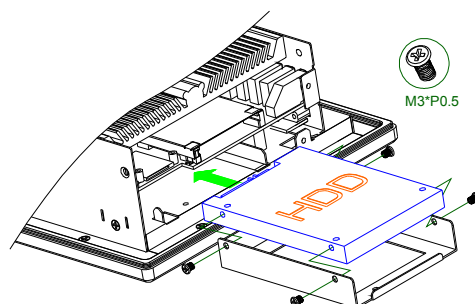
Step 2: Rotate around 30 degree as upper figure



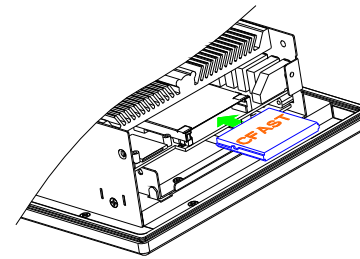
Step 3: Separate the side cover from main body as upper figure



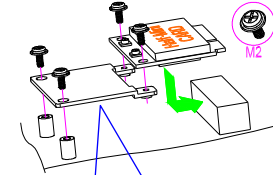
Step 4: Loosen 1 screw and eject the HDD housing.



Step 5: Install 2.5" SATA HDD to the housing (4 screws) and insert to the dock.

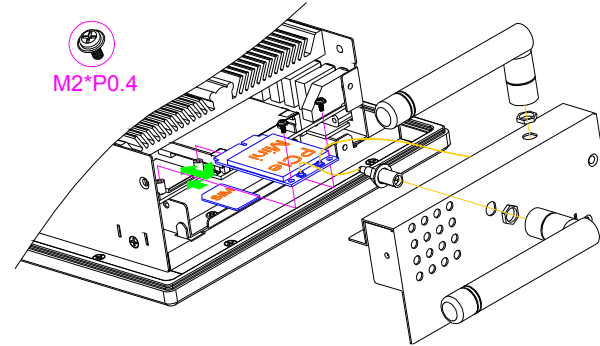


Step 6: Install CFast Modules



Step 7: Installing half-size mini-card adapter for half size modules if necessary.

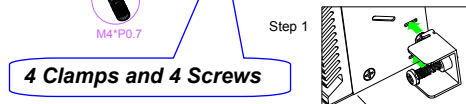
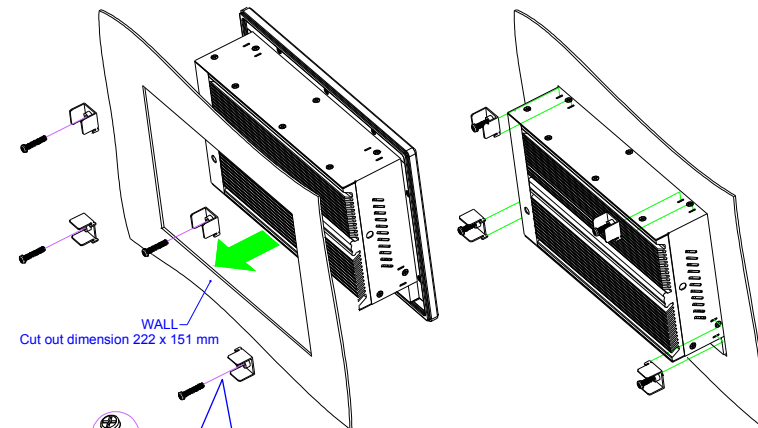
Note that half size mini-card module adapter kit (AK1006) is optional item.



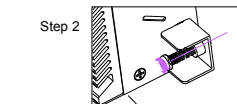
Step 8: Install SIM Module (if necessary), mini-card module, Antennas, and connects with cables.

Step 9: Close the side cover with reverse procedures of open the side cover.

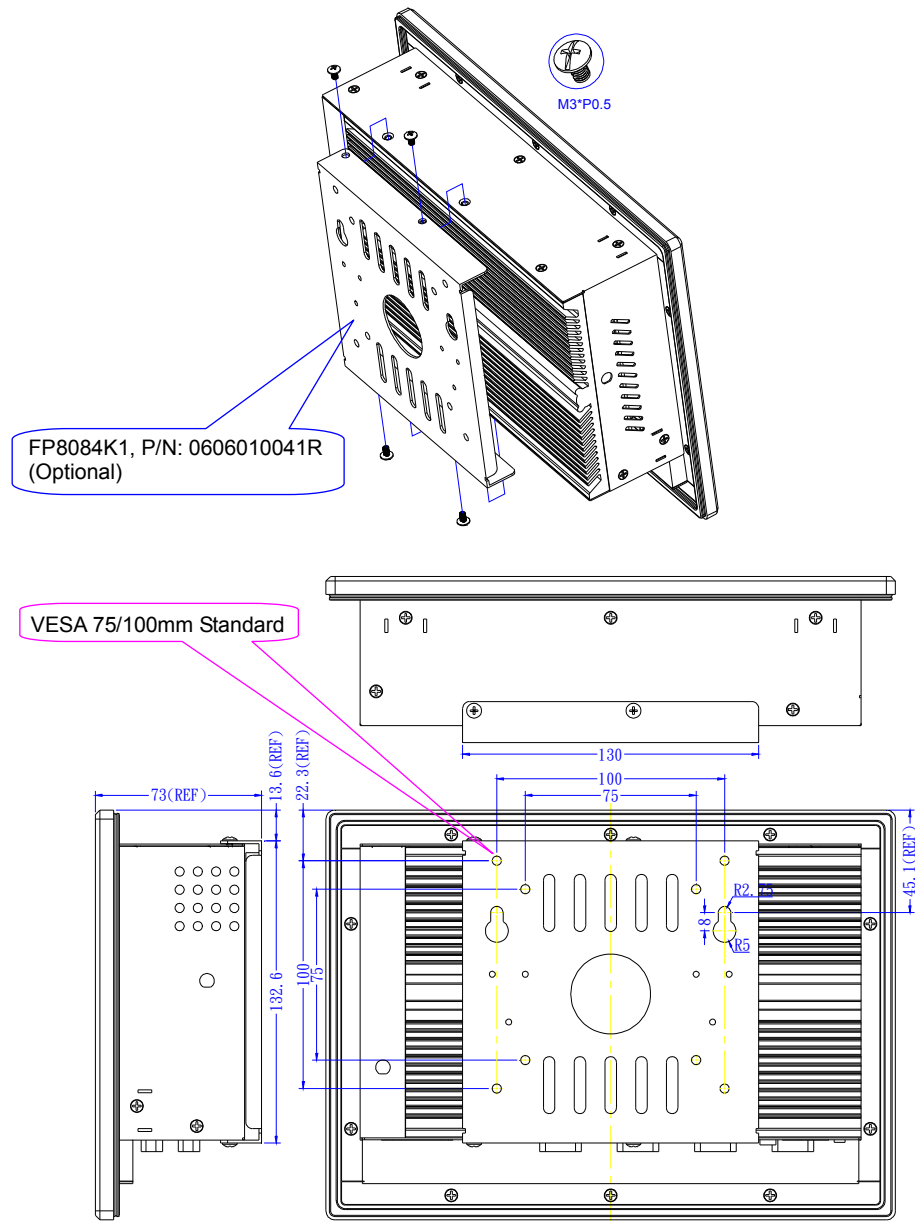
C. Embedded Mounting and Mounting Dimensions



4 Clamps and 4 Screws



D. Wall Mounting and Mounting Dimensions



E. Din-Rail Mounting with Din-Rail Mounting Kit (FP8084K1*1, AK1009*2, **Optional**)

