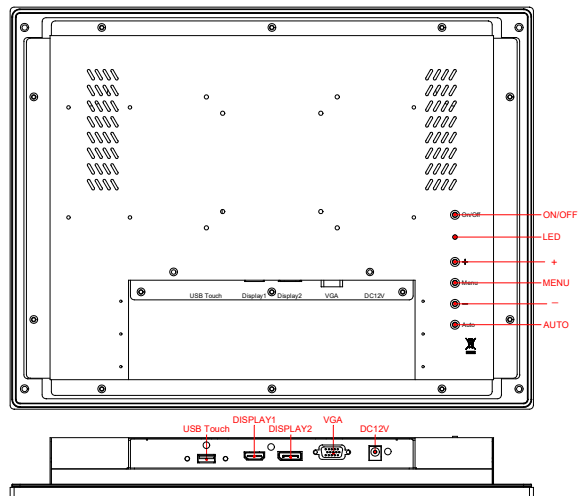
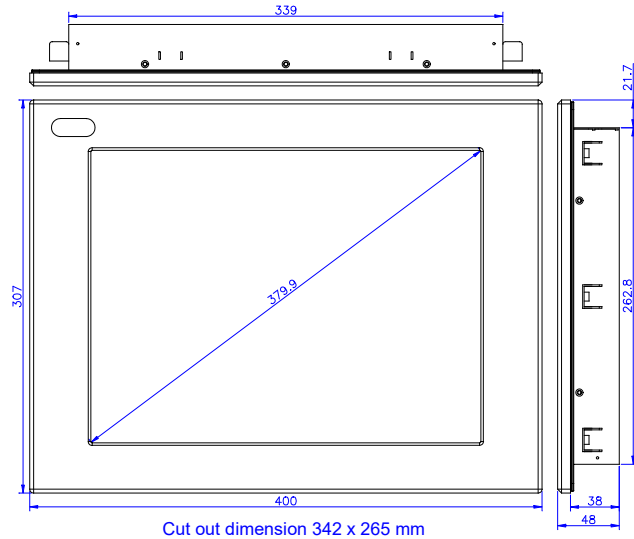


## 1. Brief

The FD7852x is a 15-inch TFT LCD monitor with OSD and touch screen device (FD7852T). This user's quick reference provides its outlook information and I/O outlets description.

## 2. Dimensions (in mm) and Rear Panel Information



## 3. Packing List

- 1 FD7852x industrial LCD monitor.
- 1 AC to DC12V power adapter and 1 AC power cord cable.
- 1 VGA adaptor cable with 1.8M length.
- 1 pack of 6 pair mounting screws
- 1 USB adapter cable for touch screen (FD7852T only)
- 1 Compact Disc including user's manual and touch screen drivers.

## 4. Features

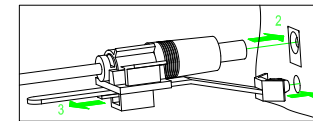
- \* Aluminum front panel with 15-inch color TFT LCD panel.
- \* Supports up to XGA 1024x768 with 16M colors.
- \* Supports 3 interface inputs. (VGA, DP Display, and HD Display)
- \* Build-in OSD functions with LED indicator and 5 operation keys.
- \* 5-wire analog resistive touch screen device with USB interface. (FD7852T only)
- \* Power requirement: External 100~240V AC adapter, output +12V DC, 1.5A maximum.
- \* Weight: 4.6Kg.
- \* Dimensions: 48mm(D) x 400mm(W) x 307mm(H)

## 5. I/O outlets and LED Indicator

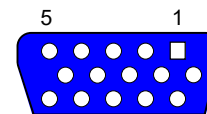
### A. Power Connector



DC Plug-In Connector  
DC +12V, 1.8A minimum

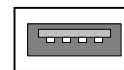


### B. VGA Connector (15-pin D-sub)



VGA (D-sub 15)

### C. Touch Screen Connector (FD7852T only)



Please use the included USB cable to connect this one to USB keyboard connector on CPU boards.

## D. LED Indicator (on the rear side)

This LED indicates the status of FD7852x as following:

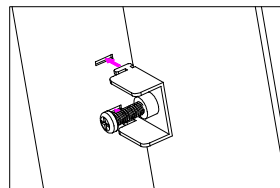
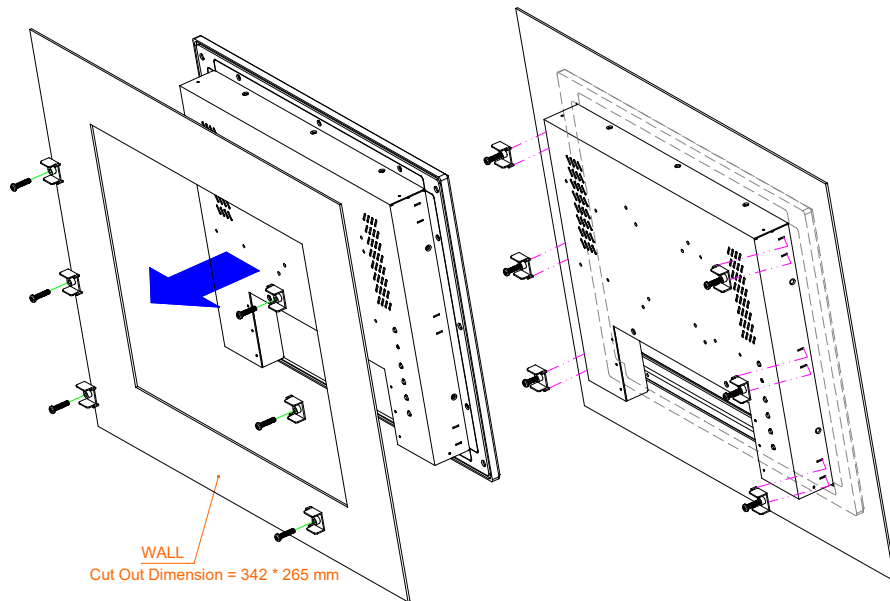
- Green: Normal operation
- Amber: Power saving mode or disconnected signal cable.

## 6. Installation

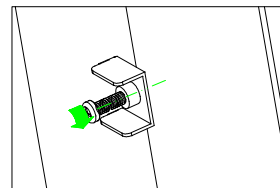
### A. Driver Installation (FD7852T only)

Please refer to the driver installing documentaion in the included Compact Disc for installing proper driver to the touch screen device.

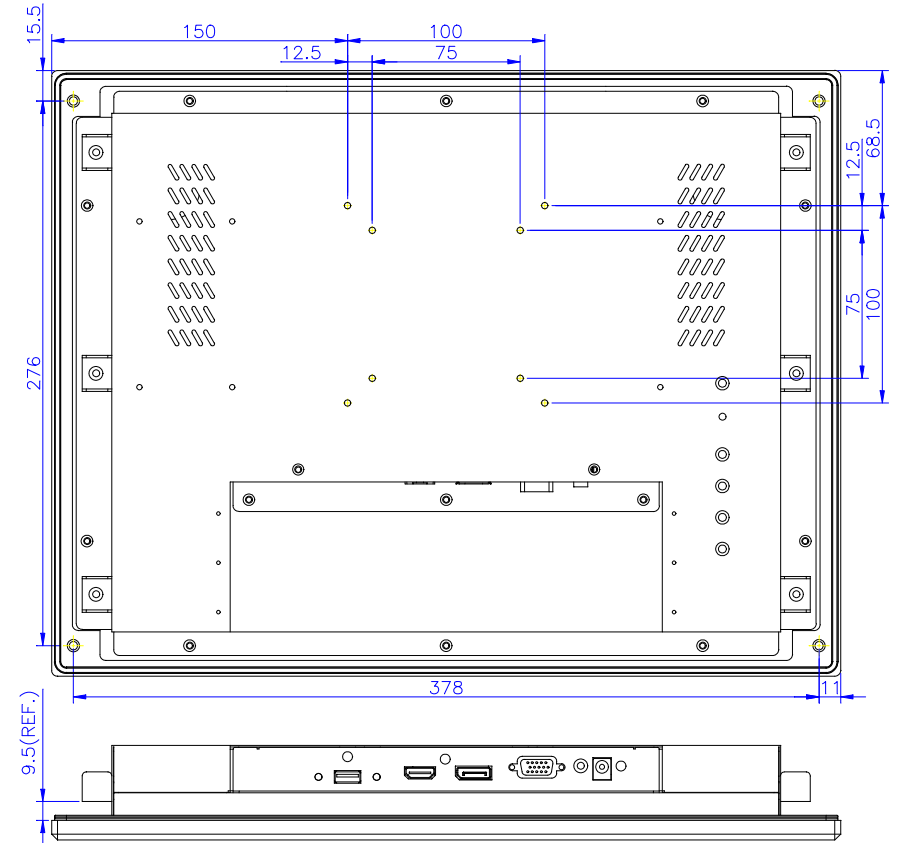
### B. Wall Mounting and Mounting Dimensions



Step 1



Step 2



End of Document