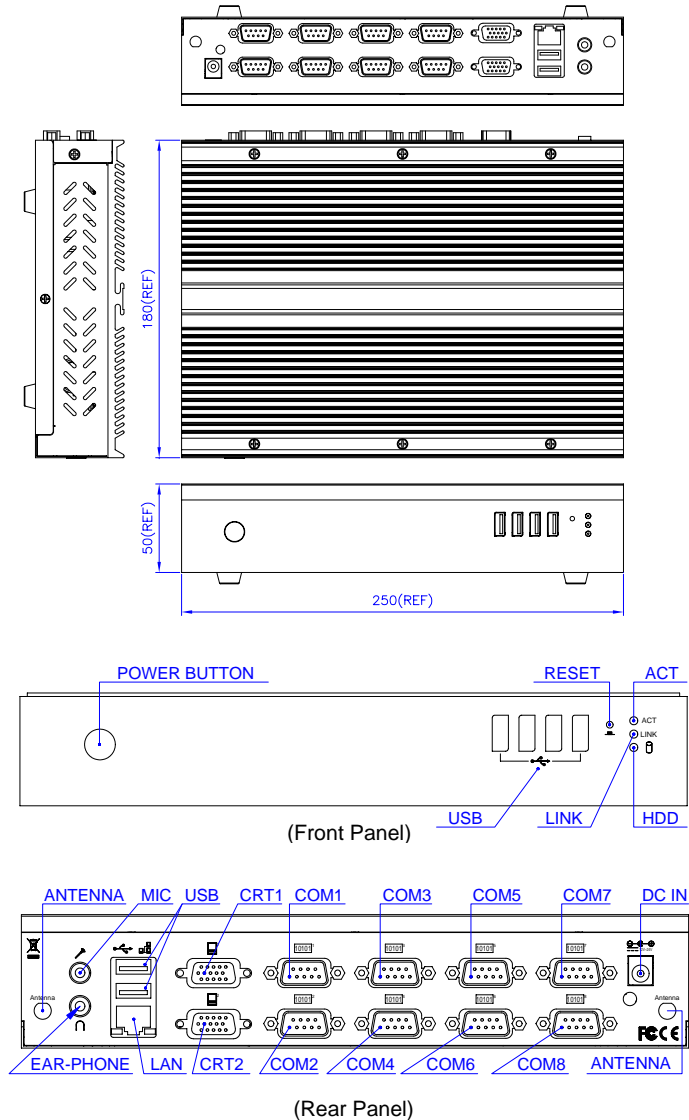


1. Brief

The FX5651x is a compact size embedded system with Intel® Atom™ D425 processor board inside. This user's quick reference provides the I/O outlets description and their pin assignment.

2. Dimensions (in mm) and Front/Rear Panel Information



3. Packing List

A. Standard Items

- 1 FX5651x embedded system.
- 1 AC to DC power adapter and 1 AC power cord cable.
- 1 pack of 2.5" SATA hard disk installation kit (2 cables with 4 fixed screws).
- 1 compact disc includes software utilities and manuals.

B. Optional Items

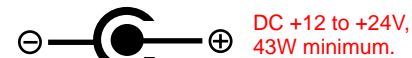
- Half size mini PCIe module adapter kit (AK1006, 1 piece of metal with 2 screws, P/N: 0606010028G)
- Wall mounting kit (FX5501K1, 2 stands with 4 screws, PN: 0606010009G)
- Rack mounting kit (FX5622K1, 2 pieces of metal with 4 fixed screws, P/N: 0606010024G)
- Panel back mounting kit (FX5504K1, 1 stand with 2 screws, P/N: 0606010012G)

4. Features

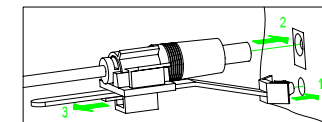
- * **Processor Board**
Intel® Atom™ D425 (1.8GHz, 512KB L2, FSB 800MHz, 10 Watts) low power processor with 2GB DDR3 RAM. (2GB maximum)
- * **I/O Outlets**
2 VGA (CRT) connectors and 2 Audio connectors for Earphone/Line-Out and Microphone.
1 GbE base-TX Ethernet port.
6 USB, 4 RS-232, and 4 RS-232/485 ports.
1 DC Jack connector and 1 power button with power indicator.
1 HDD/CF access LED and 2 LAN LEDs.
- * **Storage Bay**
1 CFAST slot.
1 mini PCIe socket and 1 SIM socket.
One 2.5" SATA hard disk space.
One SATA DOM space.
- * **Power requirement**
DC 12~24V, 1.92A maximum (1.12A typical) with DC 19V input.
- * **Dimensions**
180mm(D) x 250mm(W) x 50mm(H) without rubber stands

5. I/O outlets and LED Indicators

A. Power Connector



DC Jack Connector



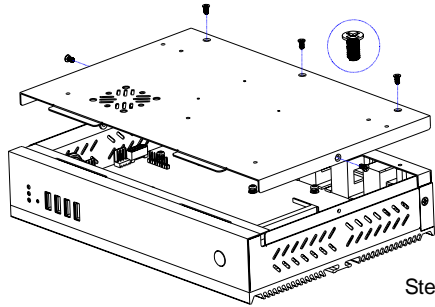
B. LAN LED Indicators

There are 4 LAN LEDs on front panel and RJ45 connector. The orange LED (ACT) indicates data is accessing and the green LED (LINK) indicates on-line status. (When lighted indicates on-line and off indicates off-line)

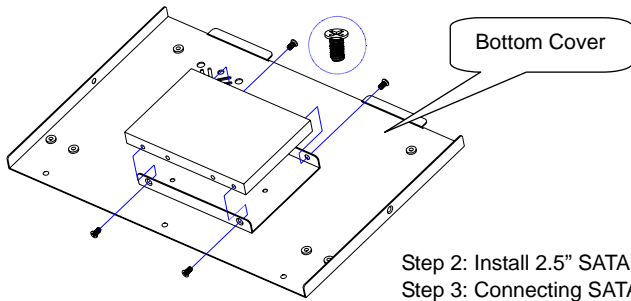
6. Software Configuration and Driver Installation

Please refer to the driver installing documentaion in the included Compact Disc for installing what device driver you need. If you need to change the system settings or configurations of I/O ports, Please refer to the User's Manual (also in the included Compact Disc) for details.

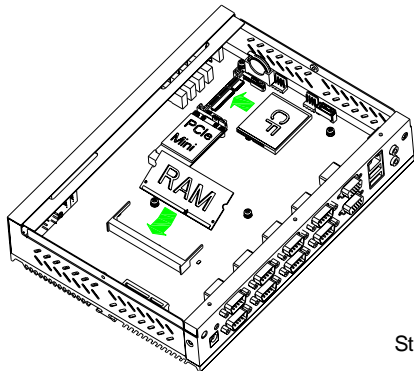
7. Installing/Changing All Equipments on FX5651x



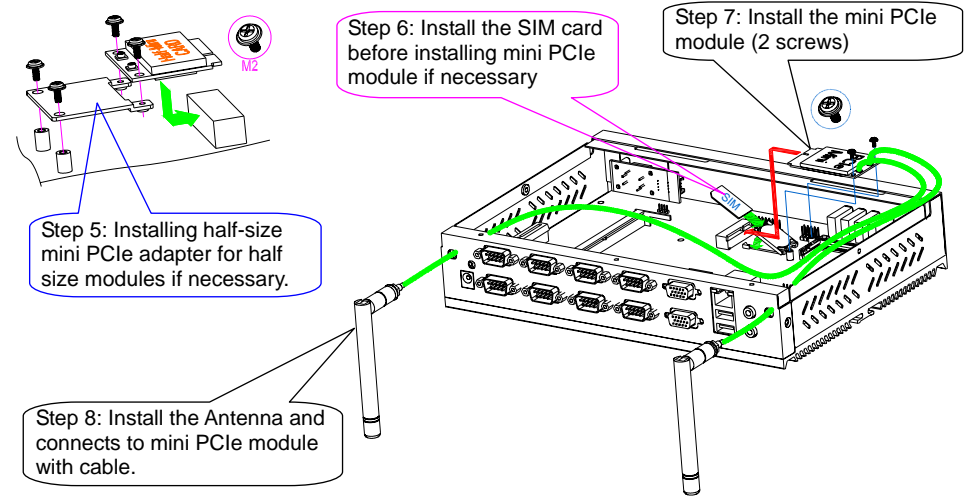
Step 1: Open the bottom cover (5 screws)



Step 2: Install 2.5" SATA HDD (4 screws)
Step 3: Connecting SATA Cables (2 cables)

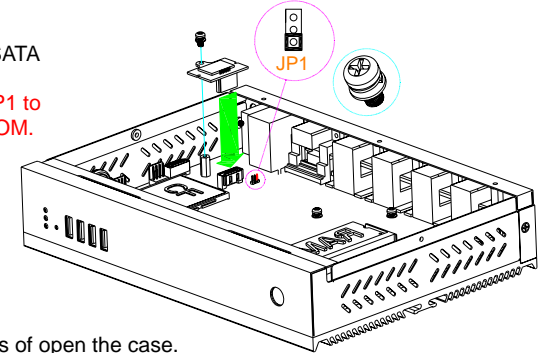


Step 4: Install CFAST and DDR3



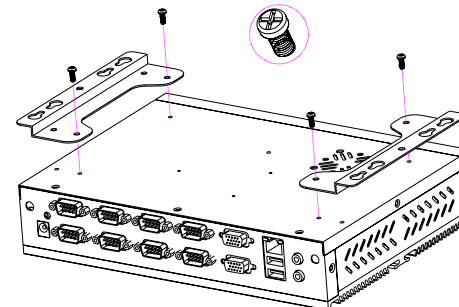
Step 9: Installing SATA DOM (optional) on SATA connector if necessary. (1 screw)

Note: Please refer to manual for setting JP1 to proper position when using SATA DOM.

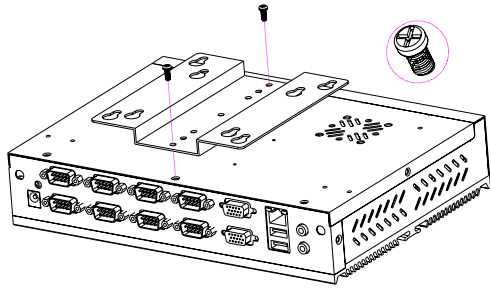


Step 10: Close case with reverse procedures of open the case.

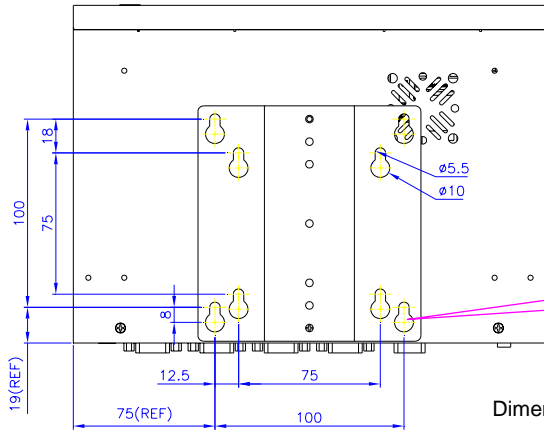
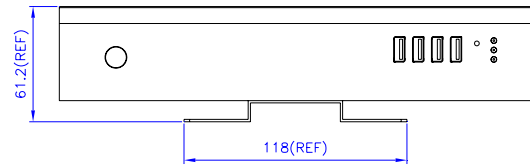
8. Installing Mounting Kit for FX5651x



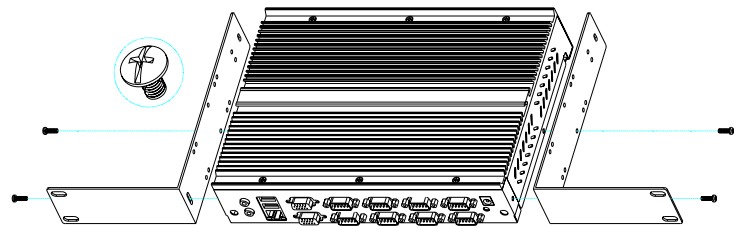
Installing Wall Mount Kit (FX5501K1, 4 screws)



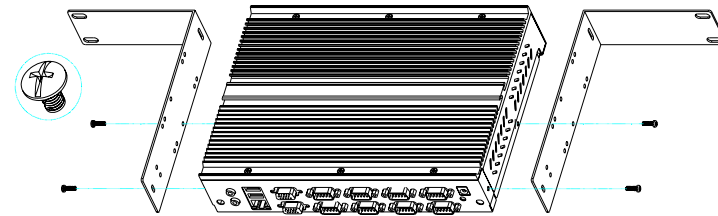
Installing LCD Back Mount Kit
(FX5504K1, 2 screws)



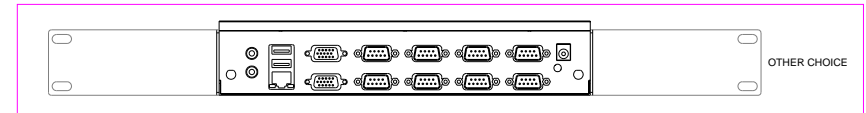
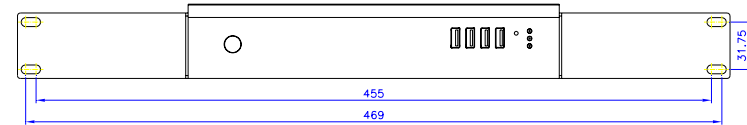
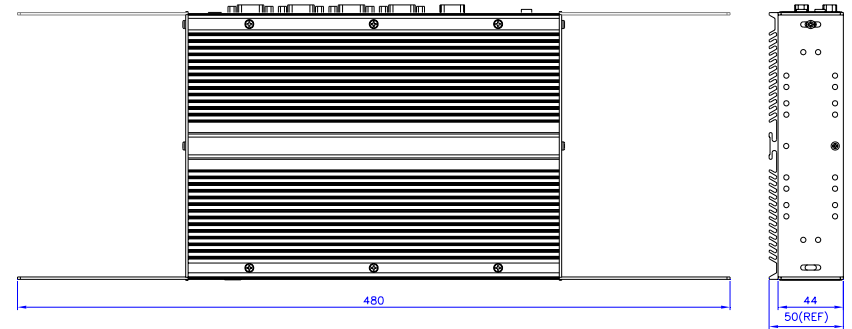
Dimensions for LCD Back Mount Kit



Installing Rack Mount Kit - 1 (4 screws)



Installing Rack Mount Kit - 2 (4 screws)



Dimensions for Rack Mount Kit

End of Document