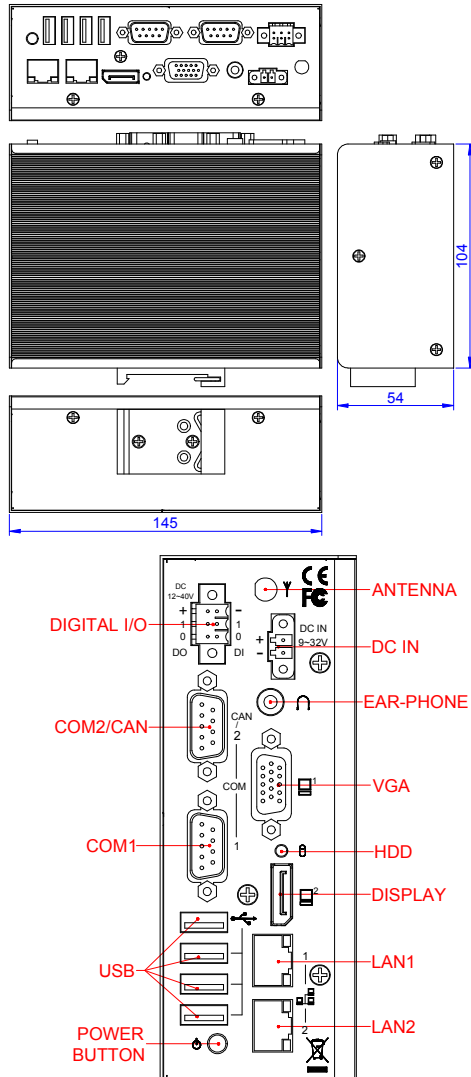


## 1. Brief

The FX5328x is a compact size embedded system with AMD® G-T40E processor board inside. This user's quick reference provides the I/O outlets description and their pin assignment.

## 2. Dimensions (in mm) and Front Panel Information



## 3. Packing List

### A. Standard Items

- 1 FX5328x embedded system.
- 1 pack of 2 apartable terminal blocks, 2-pin for power input and 6-pin for isolated digital I/Os.
- 1 pack of Din-rail kit.(1 piece of metals with 2 screws)
- 1 pack of (4+4) screws for 2.5" SATA HDD installation and mini-card installation.
- 1 compact disc includes software utilities and manuals.

### B. Optional Items

- Half size mini PCIe module adapter kit (AK1006, 1 piece of metal with 2 screws, P/N: 0606010028G)
- Panel back mounting kit #1 (FX5311K1, 1 piece of metal with 2 screws, P/N: 0606010019G)
- Panel back mounting kit #2 (FX5407K3, 2 pieces of metal with 12 screws, P/N: 0606010038R)

## 4. Features

### \* Processor Board

AMD® G-T40E (1.0GHz, 2C/2T, 1MB Cache, 1066MHz FSB, 6.4 Watts) low power processor with 4GB (8GB maximum) DDR3L RAM.

### \* I/O Outlets

- Two 10/100/1000 base-TX Ethernet ports with LEDs.
- 4 USB (V2.0), 1 RS-232, and 1 RS-232/CAN serial ports.
- 1 VGA, 1 HD Display, and 1 Audio (Earphone) connectors,
- 1 terminal block for power input and 1 power button.
- 1 terminal block for 4 isolated digital I/Os.
- 1 HDD/CFast access LED and 1 antenna installation hole.

### \* Storage Bay

- 1 CFast socket and 1 SD socket.
- 1 mini PCIe socket with 1 SIM socket.
- One 2.5" SATA hard disk space.

### \* Power requirement

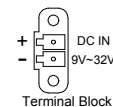
+9 ~ +32V DC, 2.20A maximum (1.14A typical) with 19V input voltage.

### \* Dimensions

104.0mm(D) x 54.0mm(W) x 145.0mm(H) without Din-rail kit.

## 5. I/O outlets and LED Indicators

### A. Power Connector (DC +9 to +32V, 52W minimum)



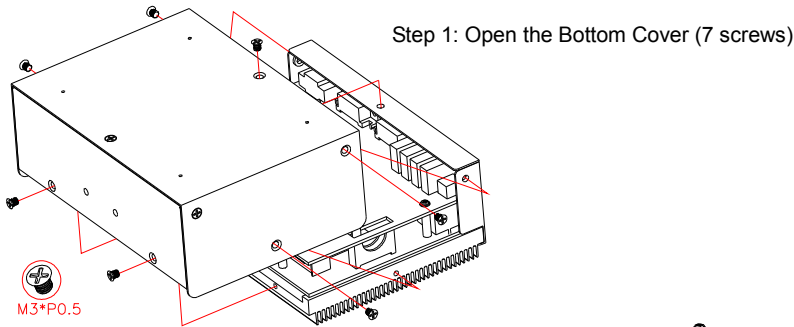
### B. LAN LED Indicators (RJ45)

The LAN port is a RJ45 connector with 2 LEDs. The orange LED indicates data is accessing and the green LED indicates on-line status.

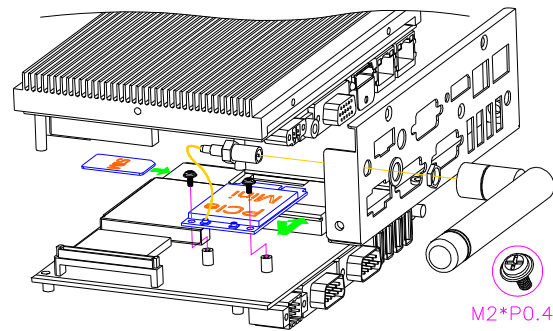
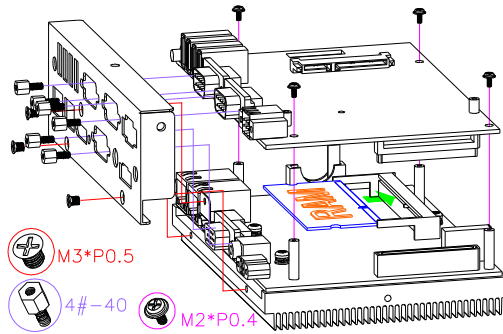
## 6. Software Configuration and Driver Installation

Please refer to the driver installing documentaion in the included Compact Disc for installing what device driver you need. If you need to change the system settings or configurations of I/O ports, Please refer to User's Manual (also in the included Compact Disc) for details.

## 7. Installing Devices into FX5328x

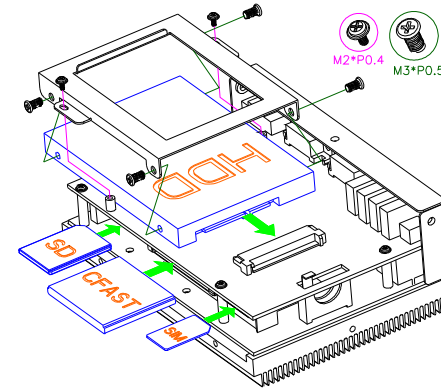
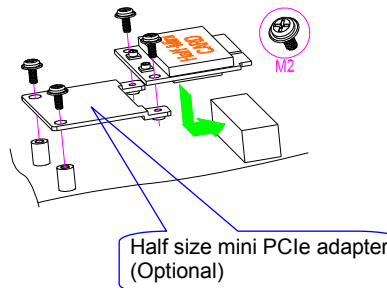


Step 2: Installing DDR3L Modules if necessary (6 screws)



Step 3-2: Installing mini PCIe module and Antenna

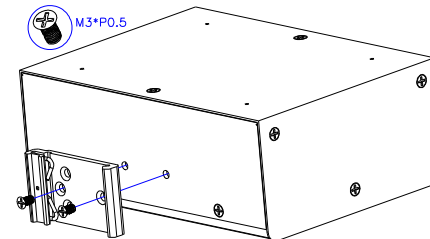
Step 3-1: Installing half-size mini PCIe module if necessary.



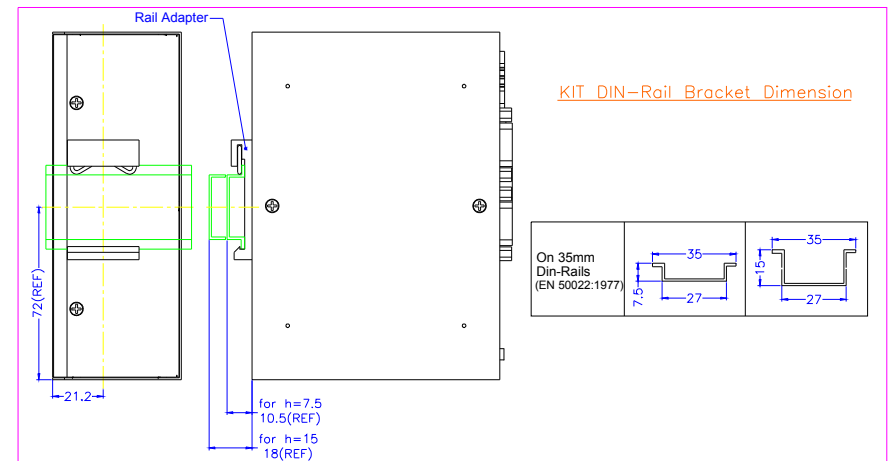
Step 4: Installing SATA HDD (4+2screws), CFast Modules, SD card, and SIM card.

Step 5: Close bottom cover with reverse procedures of open it.

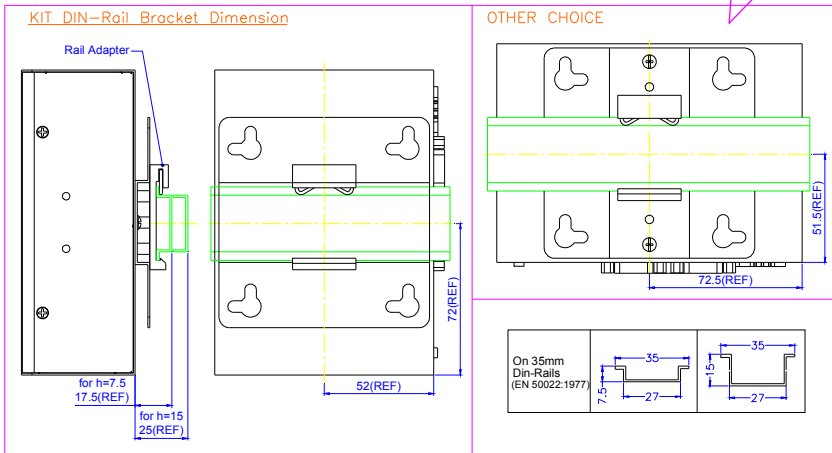
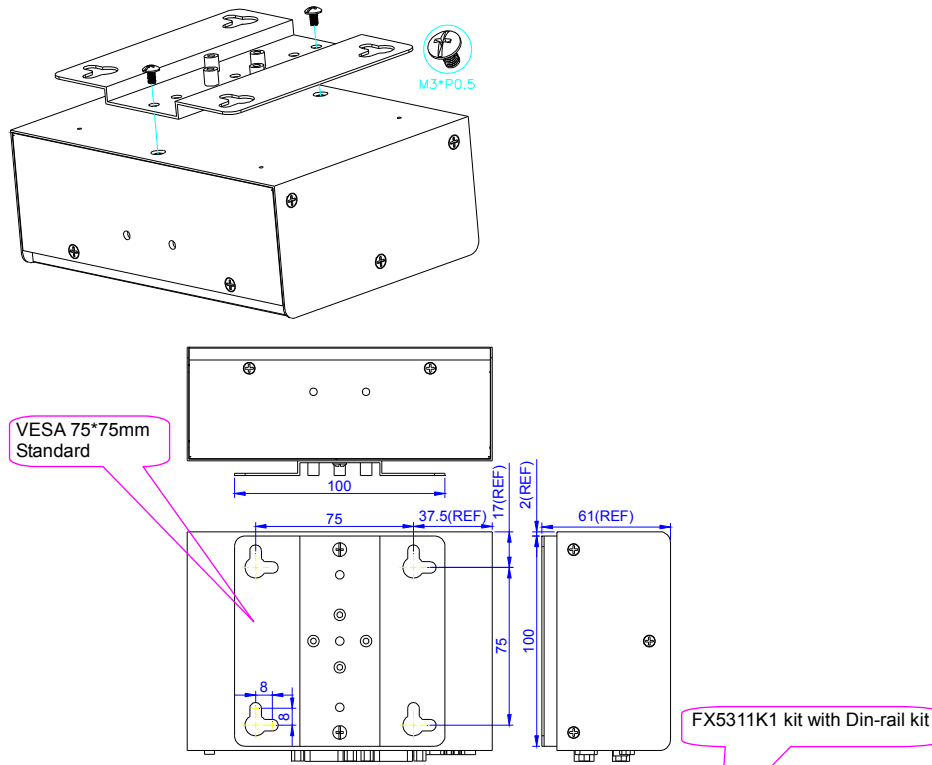
## 8. FX5328x Mounting



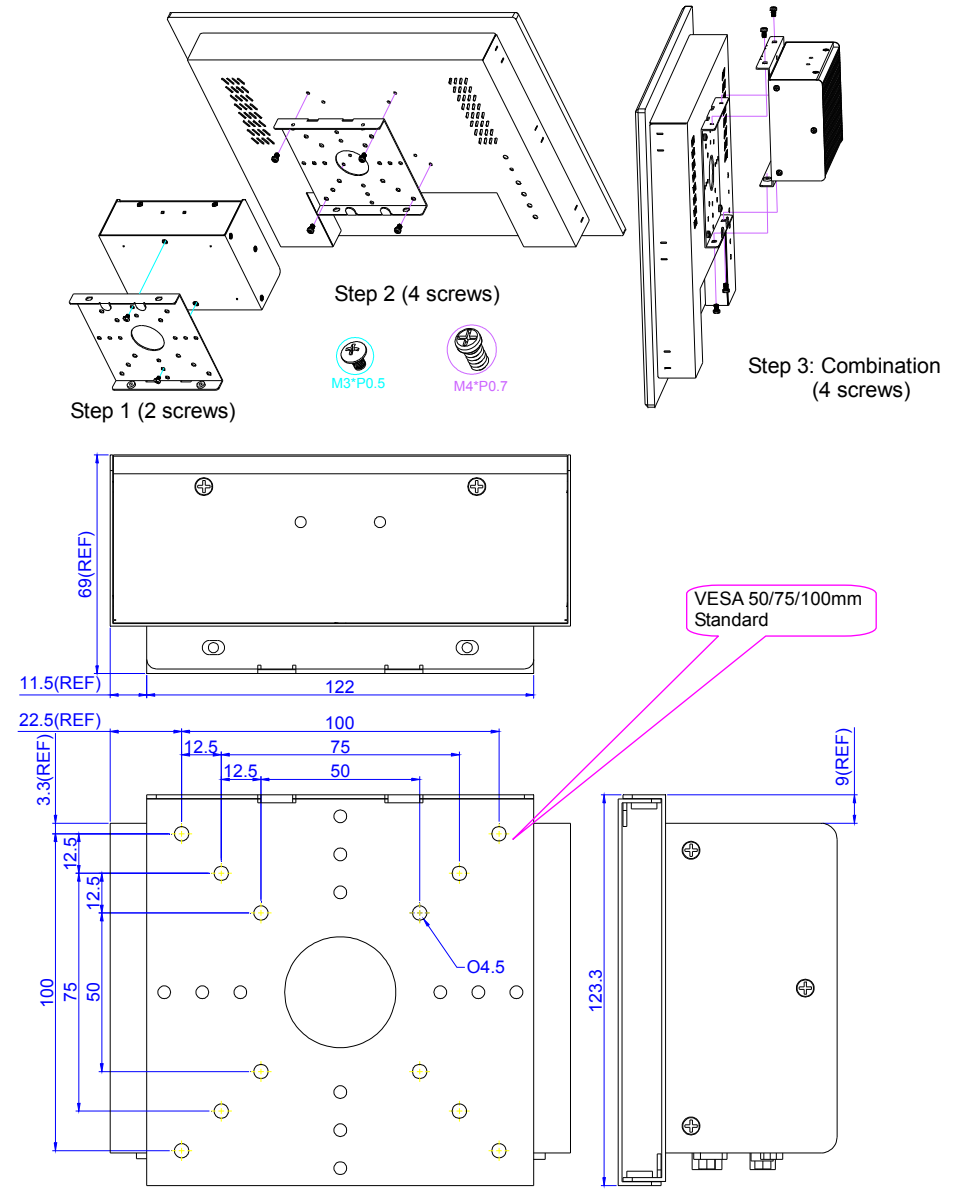
A. Din-rail mounting kit and its dimensions



**B. Panel back mounting kit #1 (FX5311K1, optional) and its dimensions**



**C. Panel back mounting kit #2 (FX5407K3, optional) and its dimensions**



End of Document